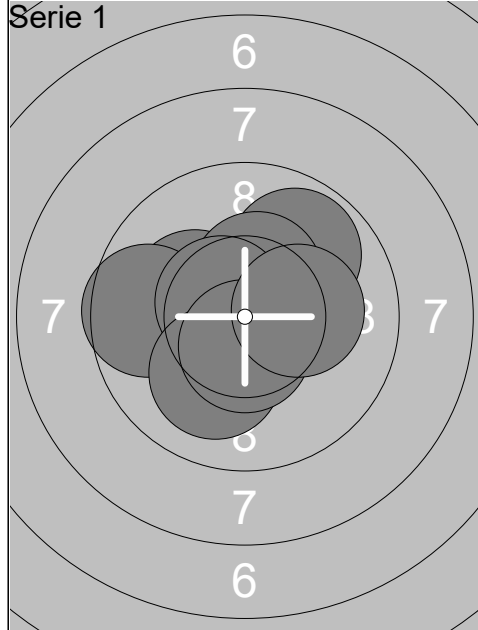
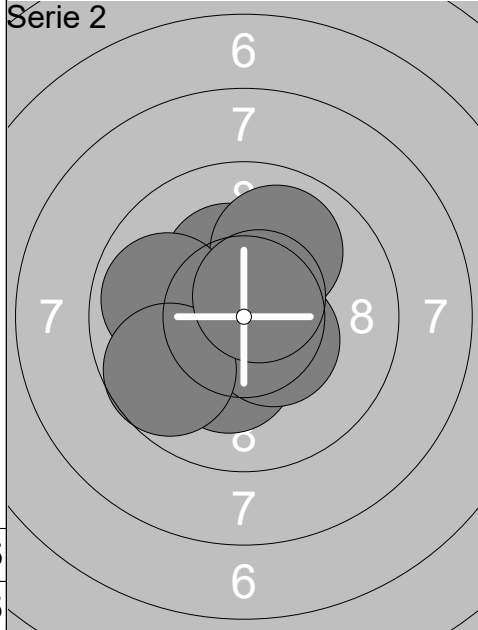


Relay	Lane	Anton Salomonsson	
Gundsøllille Megalink OPE	Össjö Skf	MJ	
18.01.2020	GMO2020 Day 2	Gundsøllille OPEN 2020	
Serie 1	1: 8.8 → 2: 9.9 ↑ 3: 10.2x ↗ 4: 10.4x ↖ 5: 9.5 ← 6: 8.8 ← 7: 10.3x ↗ 8: 10.4x ↘ 9: 10.1 ← 10: 10.3x ↖ Series 98.7 98.7	Serie 2	1: 8.1 → 2: 10.5x ↑ 3: 9.4 ↗ 4: 9.0 → 5: 9.7 ↑ 6: 8.8 ← 7: 9.8 ← 8: 9.3 ← 9: 9.3 ↗ 10: 9.4 ↑ Series 93.3 192.0
Serie 3	1: 10.4x ↓ 2: 10.2x → 3: 9.8 → 4: 10.2x ↑ 5: 10.6x → 6: 10.0 → 7: 9.8 ↑ 8: 10.6x ← 9: 10.0 ↗ 10: 10.5x → Series 102.1 294.1	Serie 4	1: 10.0 ↑ 2: 9.6 ← 3: 10.6x ↑ 4: 9.5 ↗ 5: 10.1 ↑ 6: 8.7 ↗ 7: 10.0 → 8: 10.5x ← 9: 10.0 ↓ 10: 10.3x ↓ Series 99.3 393.4
Serie 5	1: 10.3x ↓ 2: 10.4x ↓ 3: 9.9 ↑ 4: 10.0 ↑ 5: 9.9 ↓ 6: 10.3x ↗ 7: 9.9 ↗ 8: 10.0 → 9: 10.0 ← 10: 9.1 → Series 99.8 493.2	Serie 6	1: 10.4x ↖ 2: 9.6 ↗ 3: 9.1 ↗ 4: 10.5x ↑ 5: 10.6x ↓ 6: 9.2 ← 7: 8.5 → 8: 9.0 ← 9: 10.2x ← 10: 9.5 ↓ Series 96.6 589.8

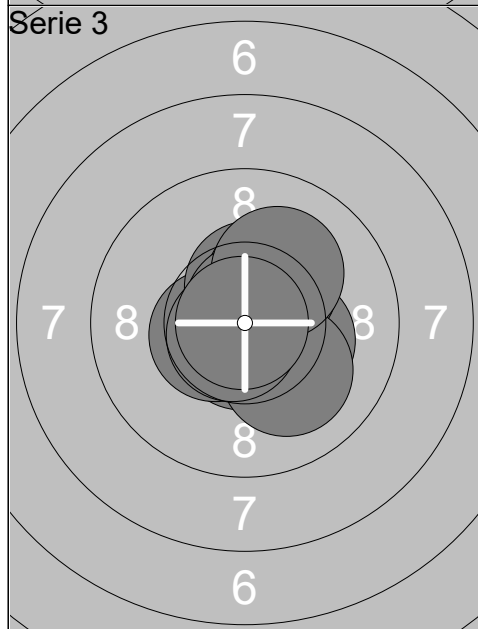
Gundsøllille Megalink Open 2020



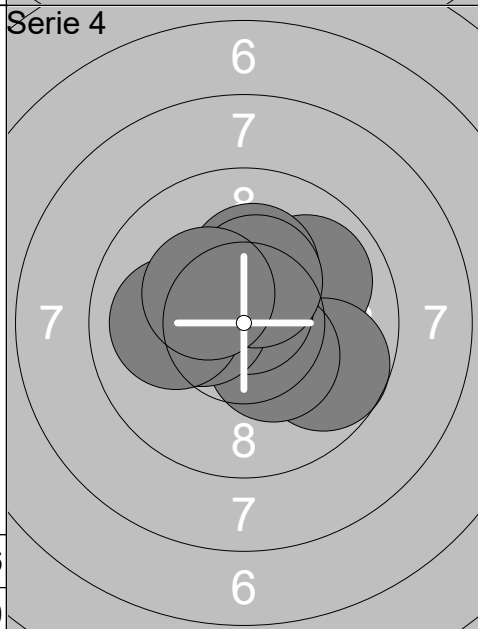
1:	10.6x →
2:	9.8 ↗
3:	10.6x ↗
4:	10.2x ↙
5:	10.4x ↗
6:	9.6 ←
7:	10.5x ↙
8:	10.1 ↓
9:	10.5x ↓
10:	10.2x →
Series	102.5
	102.5



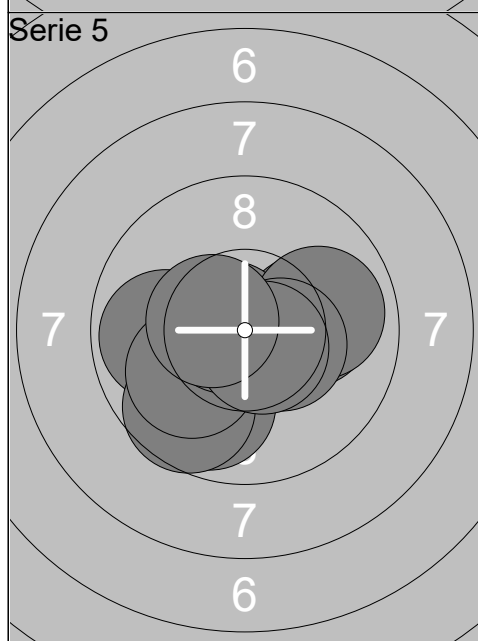
1:	10.3x ↗
2:	10.5x ↙
3:	10.7x ↓
4:	9.9 ↗
5:	10.2x ↓
6:	10.7x →
7:	10.4x ↘
8:	9.9 ←
9:	9.7 ↙
10:	10.6x ↗
Series	102.9
	205.4



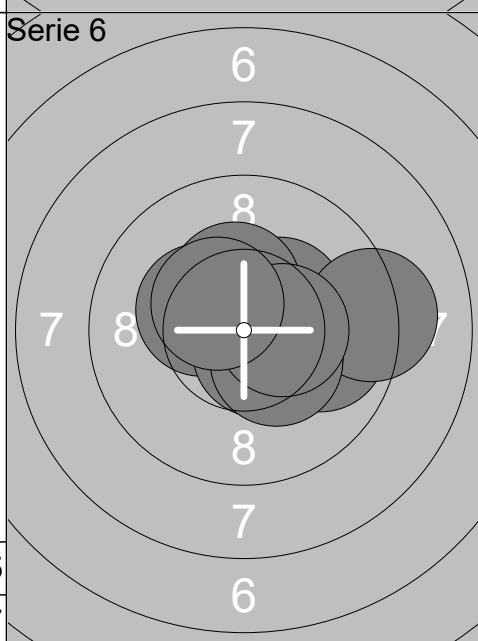
1:	10.6x ↓
2:	10.5x ↙
3:	10.3x →
4:	10.4x ↗
5:	10.3x ↗
6:	10.7x ↗
7:	10.1 ↘
8:	10.1 ↗
9:	10.7x ↙
10:	10.9x ↙
Series	104.6
	310.0



1:	10.3x →
2:	9.9 ↗
3:	9.7 ↘
4:	10.3x ↘
5:	10.7x ↗
6:	10.4x ↙
7:	10.2x ↗
8:	10.0 ←
9:	10.4x ↗
10:	10.3x ↙
Series	102.2
	412.2

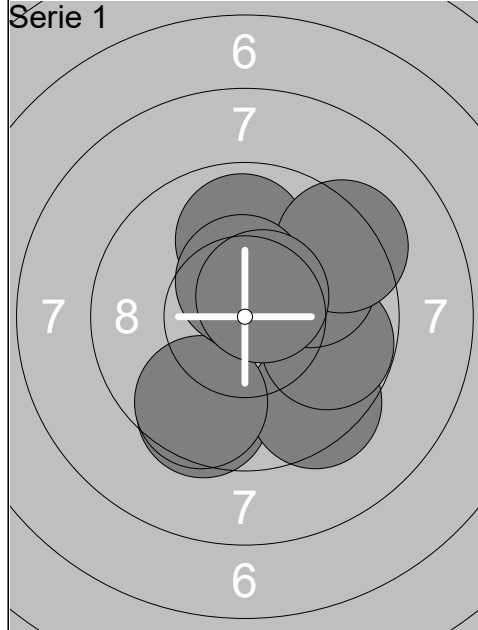


1:	9.8 ↓
2:	10.1 →
3:	9.9 ←
4:	9.6 ↓
5:	10.0 ↙
6:	10.7x ↙
7:	9.9 →
8:	10.4x →
9:	10.6x ↘
10:	10.5x ↙
Series	101.5
	513.7

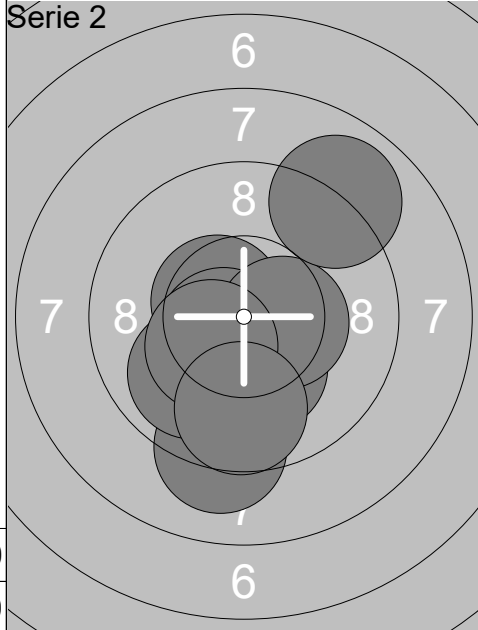


1:	9.9 →
2:	10.3x ↙
3:	10.6x ↘
4:	10.3x ↗
5:	9.2 →
6:	10.4x ↘
7:	10.3x ↘
8:	10.4x ↗
9:	10.4x →
10:	10.4x ↙
Series	102.2
	615.9

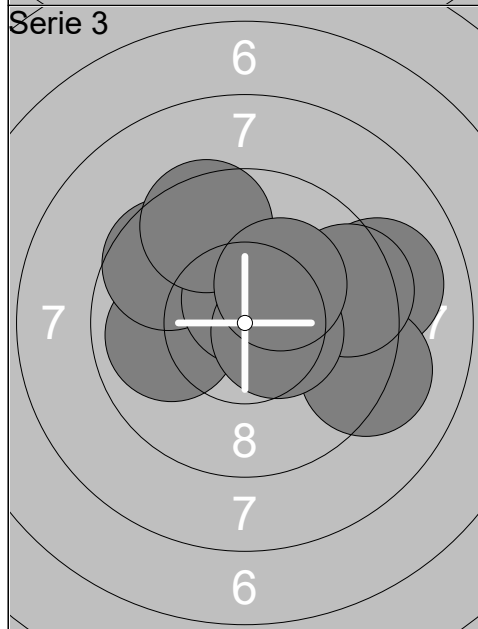
Relay	Lane	Viktor Klemmedsson		
Gundsøllille Megalink OPE	Christianstad Skf	MJ		
18.01.2020	GMO2020 Day 2	Gundsøllille OPEN 2020		
Serie 1 	1: 10.2x →	Serie 2 	1: 10.6x ↗	
	2: 9.9 ↗		2: 10.5x ↑	
	3: 10.1 ↑		3: 10.9x	
	4: 10.6x →		4: 9.7 ↓	
	5: 10.3x ↗		5: 10.2x →	
	6: 9.0 ↖		6: 10.2x →	
	7: 10.8x ↗		7: 10.5x ↓	
	8: 9.4 ←		8: 10.3x ←	
	9: 9.7 ←		9: 10.7x ↙	
	10: 10.5x ←		10: 9.8 ↙	
	Series 100.5		Series 103.4	
	100.5		203.9	
Serie 3 	1: 10.0 ←	Serie 4 	1: 10.8x ←	
	2: 9.6 ↗		2: 10.6x ↓	
	3: 10.4x ↖		3: 10.7x →	
	4: 9.7 ←		4: 10.6x ←	
	5: 10.5x ←		5: 10.1 →	
	6: 10.2x ↘		6: 10.1 ↓	
	7: 10.7x ↑		7: 10.3x ↖	
	8: 10.5x ↑		8: 10.6x ↘	
	9: 10.2x ←		9: 10.6x ↓	
	10: 9.9 ←		10: 10.6x →	
	Series 101.7		Series 105.0	
	305.6		410.6	
Serie 5 	1: 10.4x →	Serie 6 	1: 9.4 ←	
	2: 10.0 ←		2: 10.4x →	
	3: 10.5x ↘		3: 10.3x ↘	
	4: 10.5x ↘		4: 10.2x →	
	5: 9.8 ↗		5: 10.5x ↖	
	6: 10.8x ←		6: 9.8 ↓	
	7: 10.3x ↑		7: 10.6x ↘	
	8: 10.0 ↑		8: 10.1 →	
	9: 9.6 →		9: 10.7x →	
	10: 10.1 ↗		10: 10.5x ↗	
	Series 102.0		Series 102.5	
	512.6		615.1	



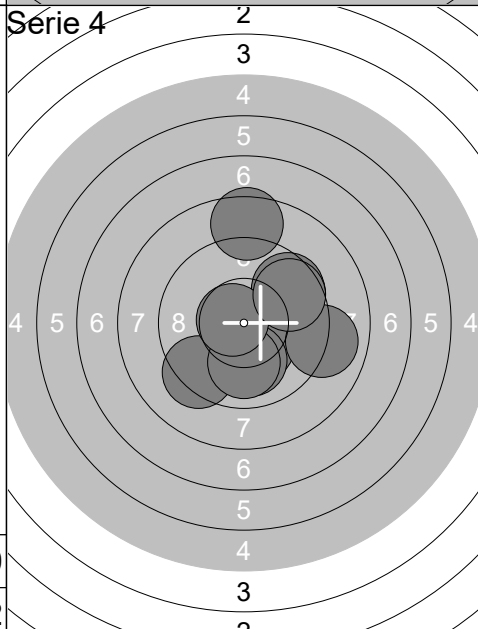
1:	9.5	↓
2:	9.4	↓
3:	9.8	→
4:	9.6	↓
5:	9.9	→
6:	10.5x	↑
7:	9.9	↑
8:	9.3	→
9:	10.5x	↑
10:	10.6x	↗
Series	99.0	
	99.0	



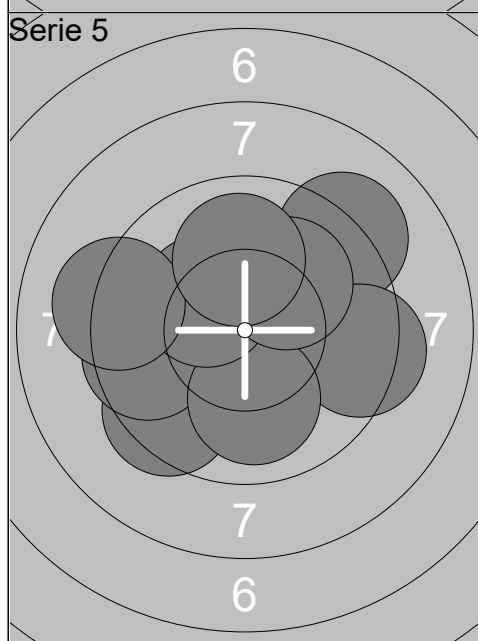
1:	9.1	↓
2:	9.9	↘
3:	10.6x	↙
4:	10.2x	↓
5:	10.5x	↖
6:	10.6x	↙
7:	10.4x	→
8:	10.3x	↙
9:	9.7	↓
10:	8.9	↗
Series	100.2	
	199.2	



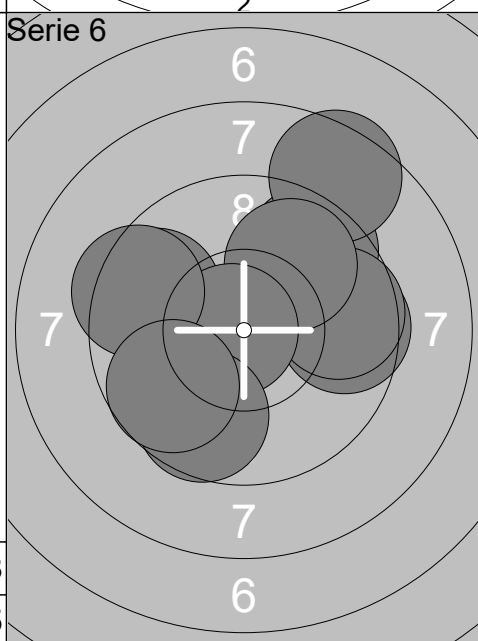
1:	10.0	←
2:	9.9	←
3:	9.1	→
4:	9.6	↖
5:	10.6x	↑
6:	9.2	→
7:	9.5	↑
8:	9.4	→
9:	10.5x	→
10:	10.2x	↗
Series	98.0	
	297.2	



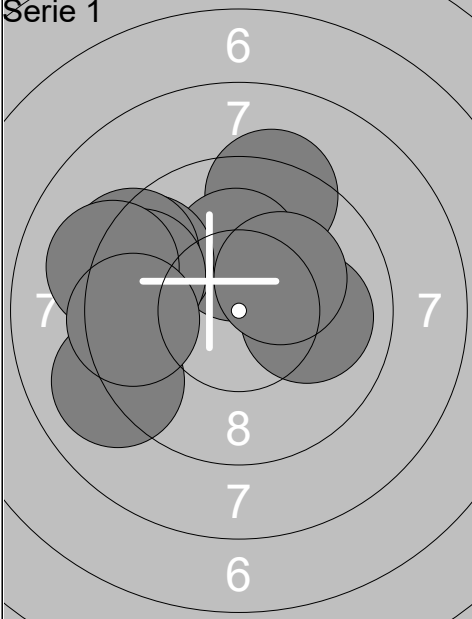
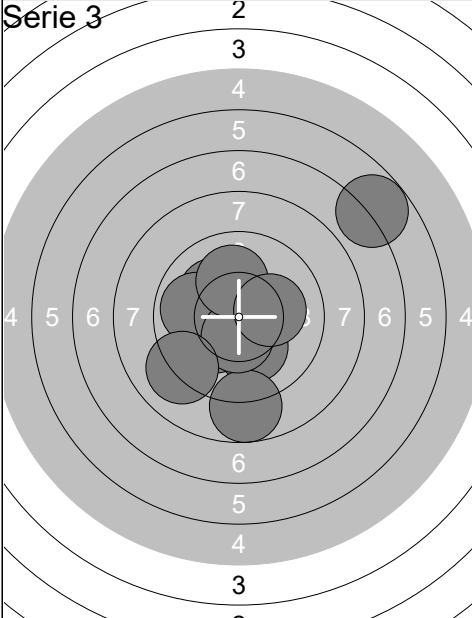
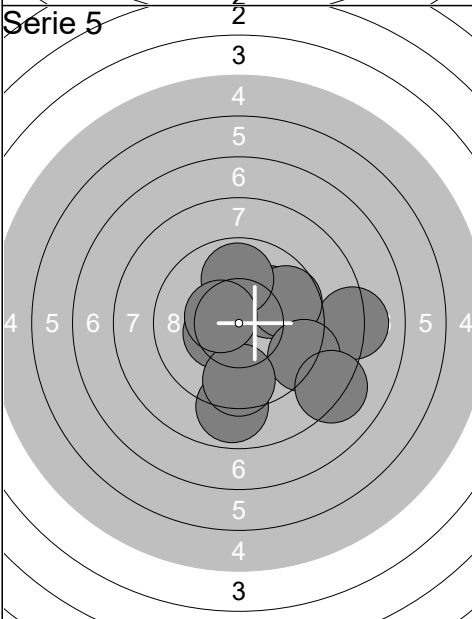
1:	8.5	↑
2:	9.6	↗
3:	9.6	↗
4:	10.3x	↓
5:	9.3	↙
6:	9.0	→
7:	10.0	↓
8:	10.0	↓
9:	10.6x	↖
10:	9.6	↗
Series	96.5	
	393.7	

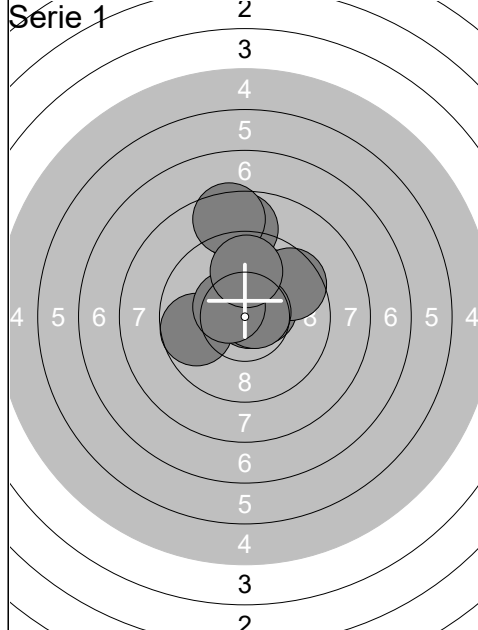


1:	9.1	↗
2:	9.3	→
3:	9.4	↙
4:	10.8x	↖
5:	9.6	←
6:	10.0	↓
7:	10.3x	↖
8:	9.2	←
9:	10.1	↗
10:	10.0	↑
Series	97.8	
	491.5	

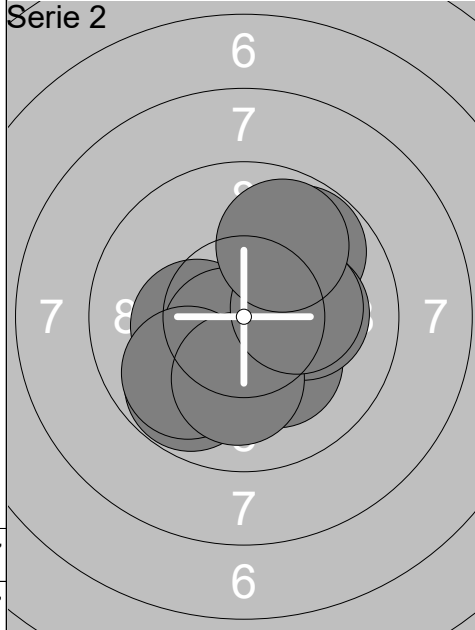


1:	9.6	→
2:	9.5	↗
3:	9.6	↖
4:	8.5	↗
5:	9.6	→
6:	9.8	↗
7:	10.8x	↖
8:	9.4	↖
9:	9.6	↓
10:	9.7	↙
Series	96.1	
	587.6	

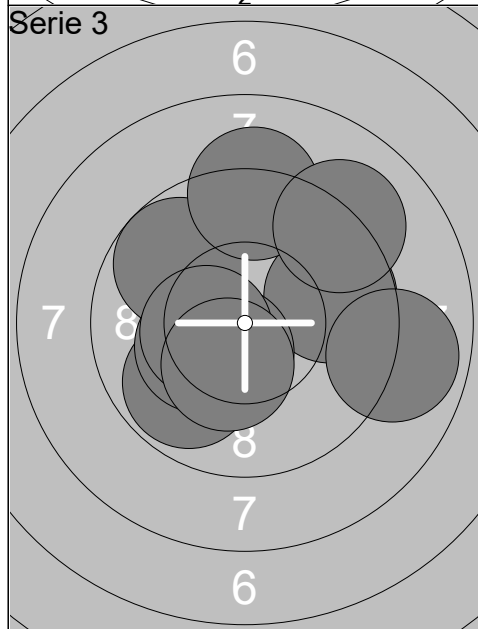
Relay	Lane	Mikkel Kannik	
Gundsøllille Megalink OPE	Ølstykke Skytteforening	MJ	
18.01.2020	GMO2020 Day 2	Gundsøllille OPEN 2020	
Serie 1		1: 9.0 ↙ 2: 9.3 ↑ 3: 10.2x ↑ 4: 9.5 ↙ 5: 9.3 ↙ 6: 9.5 ↙ 7: 10.0 → 8: 9.1 ↙ 9: 10.2x ↗ 10: 9.5 ← Series 95.6 95.6	2 3 4 5 6 7 8 7 6 5 4 3 2 1: 9.6 ↓ 2: 9.0 ↗ 3: 10.4x ⇒ 4: 8.2 ↑ 5: 8.3 ↑ 6: 9.9 ↙ 7: 9.7 ← 8: 10.5x ↓ 9: 9.0 ↓ 10: 9.4 ↓ Series 94.0 189.6
Serie 3		2 3 4 5 6 7 8 7 6 5 4 3 2 1: 10.1 ↙ 2: 10.2x ↙ 3: 9.9 ← 4: 10.1 ↓ 5: 8.7 ↓ 6: 6.7 ↗ 7: 10.5x ↓ 8: 10.0 ↑ 9: 9.1 ↙ 10: 10.2x → Series 95.5 285.1	6 7 8 7 6 5 4 3 2 1: 10.2x ↓ 2: 9.6 ↓ 3: 8.9 ↗ 4: 10.2x ↙ 5: 9.8 ↙ 6: 10.2x ↑ 7: 9.9 ← 8: 10.6x ↑ 9: 8.3 ↘ 10: 9.4 ↓ Series 97.1 382.2
Serie 5		2 3 4 5 6 7 8 7 6 5 4 3 2 1: 8.9 ↓ 2: 8.1 → 3: 10.0 ↗ 4: 9.6 ↗ 5: 9.9 ↑ 6: 9.2 ⇒ 7: 8.2 ↘ 8: 10.4x ↙ 9: 9.5 ↓ 10: 10.5x ↙ Series 94.3 476.5	6 7 8 7 6 5 4 3 2 1: 9.1 ↗ 2: 10.1 ⇒ 3: 9.4 ↗ 4: 8.7 ↑ 5: 9.3 ↑ 6: 9.2 ↓ 7: 9.3 ⇒ 8: 8.7 ↗ 9: 10.4x ↓ 10: 9.7 ↓ Series 93.9 570.4



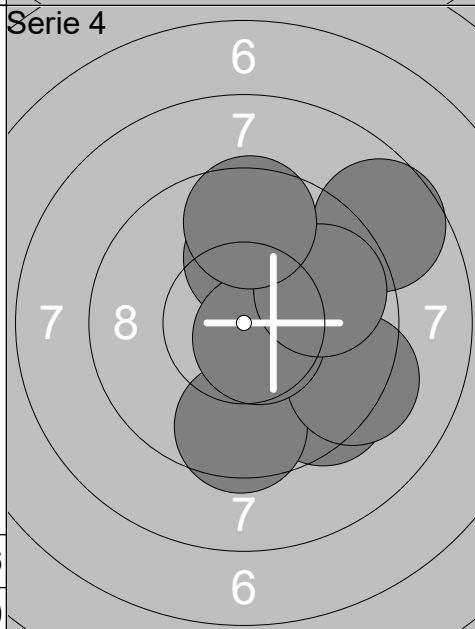
1:	10.5x ↗
2:	9.7 ←
3:	10.7x ↗
4:	8.8 ↑
5:	8.5 ↑
6:	9.9 ↗
7:	9.6 ↗
8:	10.7x ↗
9:	10.5x ↖
10:	9.8 ↑
Series	98.7
	98.7



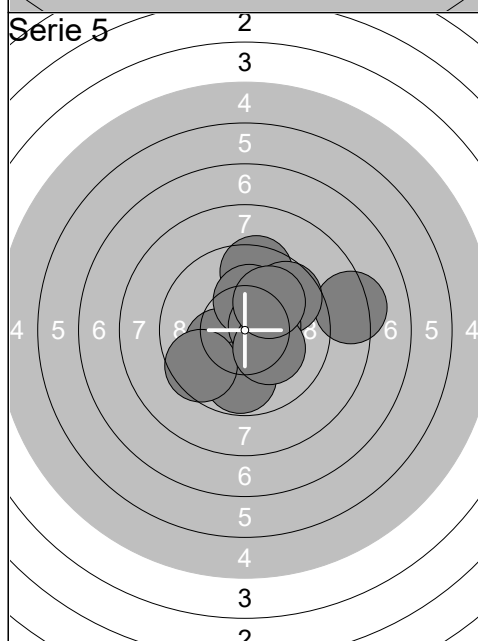
1:	9.8 ↙
2:	9.8 ↗
3:	10.3x ←
4:	10.2x ↘
5:	10.6x ↙
6:	10.1 →
7:	9.8 ↙
8:	10.1 ↓
9:	10.2x →
10:	9.8 ↗
Series	100.7
	199.4



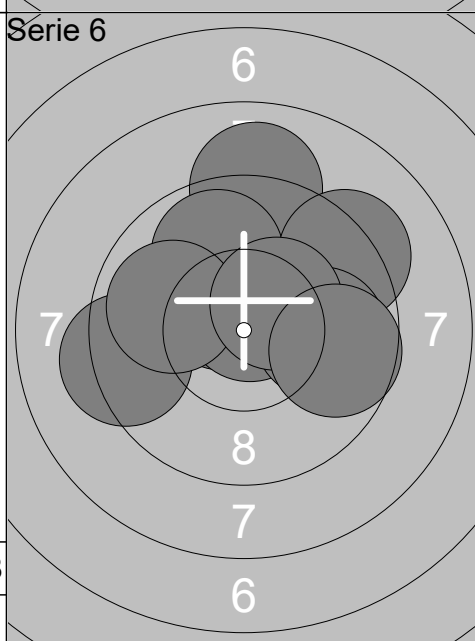
1:	9.7 ↖
2:	9.7 →
3:	9.8 ↙
4:	9.1 ↑
5:	10.4x ↙
6:	8.9 →
7:	10.2x ←
8:	10.4x ←
9:	10.3x ↙
10:	9.1 ↗
Series	97.6
	297.0



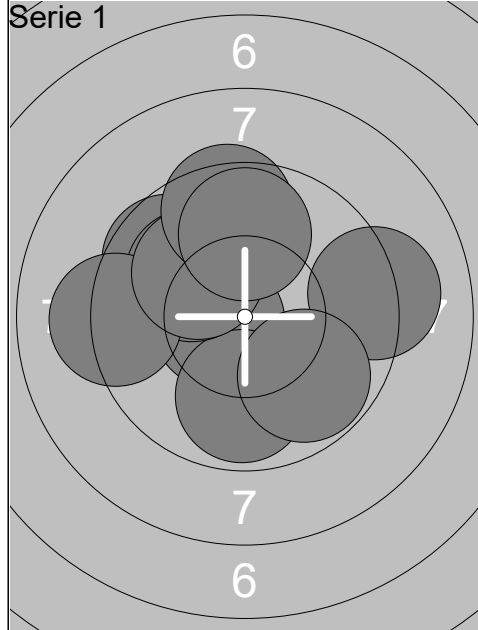
1:	9.4 ↘
2:	9.5 ↓
3:	10.0 →
4:	10.4x ↗
5:	9.3 ↘
6:	10.0 ↑
7:	8.7 ↗
8:	10.6x ↘
9:	9.8 →
10:	9.6 ↑
Series	97.3
	394.3



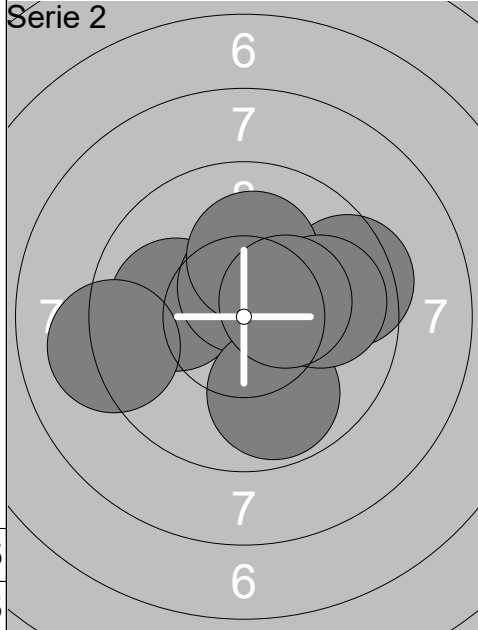
1:	10.2x ←
2:	9.7 ↓
3:	8.3 →
4:	9.5 ↑
5:	9.6 ↙
6:	9.7 ↗
7:	10.2x ↑
8:	10.4x →
9:	10.2x ↘
10:	10.0 ↗
Series	97.8
	492.1



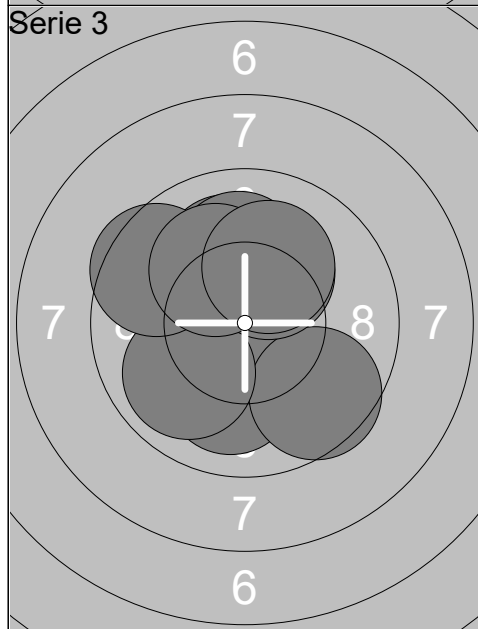
1:	10.5x ↖
2:	9.0 ↑
3:	10.7x ↗
4:	9.9 ↑
5:	9.3 ←
6:	9.2 ↗
7:	9.9 ←
8:	9.9 →
9:	10.4x ↗
10:	9.6 →
Series	98.4
	590.5



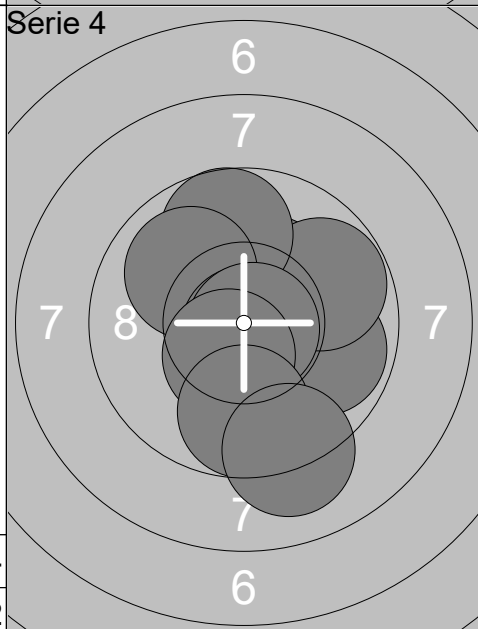
1:	10.6x	←
2:	9.6	↖
3:	9.9	↓
4:	10.0	↖
5:	9.2	←
6:	10.0	↗
7:	9.5	↑
8:	9.1	→
9:	9.8	↑
10:	9.8	↘
Series		97.5
		97.5



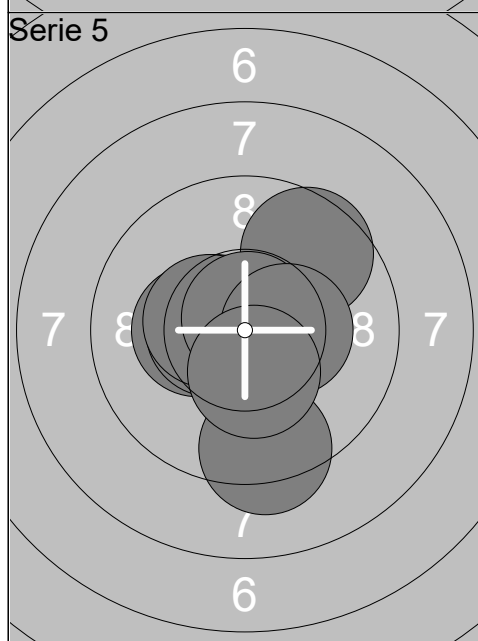
1:	10.6x	↑
2:	10.0	←
3:	9.5	→
4:	10.5x	↗
5:	9.1	←
6:	10.5x	↑
7:	9.8	↓
8:	10.1	↑
9:	9.9	→
10:	10.3x	→
Series		100.3
		197.8



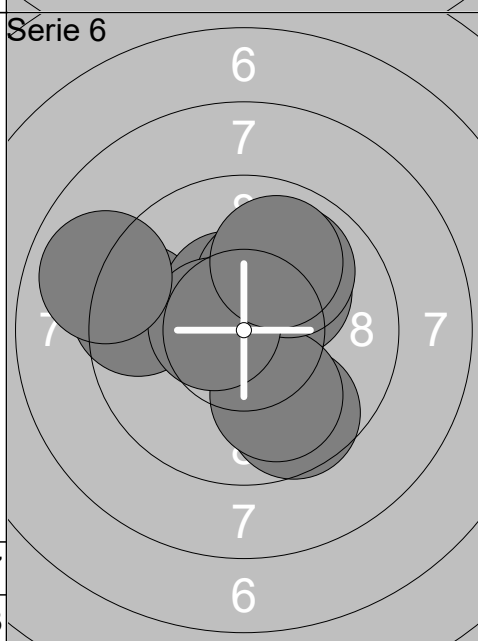
1:	10.0	↓
2:	9.5	↘
3:	10.1	↑
4:	10.0	↑
5:	9.9	↖
6:	10.2x	↗
7:	10.0	↑
8:	9.5	↖
9:	10.1	↗
10:	10.1	↗
Series		99.4
		297.2



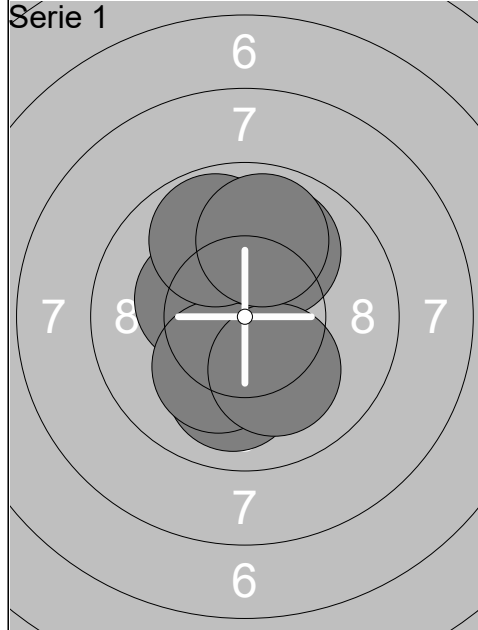
1:	9.8	→
2:	10.3x	↗
3:	9.8	↗
4:	9.7	↑
5:	9.9	↗
6:	10.8x	↓
7:	10.8x	↘
8:	10.5x	↘
9:	9.7	↓
10:	9.1	↓
Series		100.4
		397.6



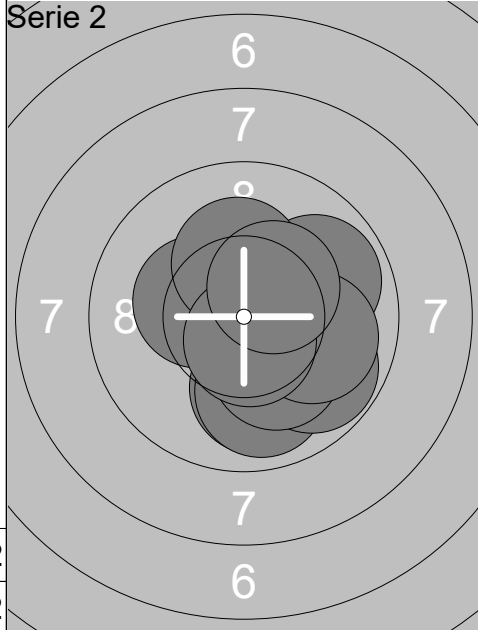
1:	10.5x	←
2:	10.3x	←
3:	10.5x	←
4:	9.6	↗
5:	10.6x	→
6:	10.4x	←
7:	10.7x	↑
8:	10.4x	→
9:	9.3	↓
10:	10.4x	↓
Series		102.7
		500.3



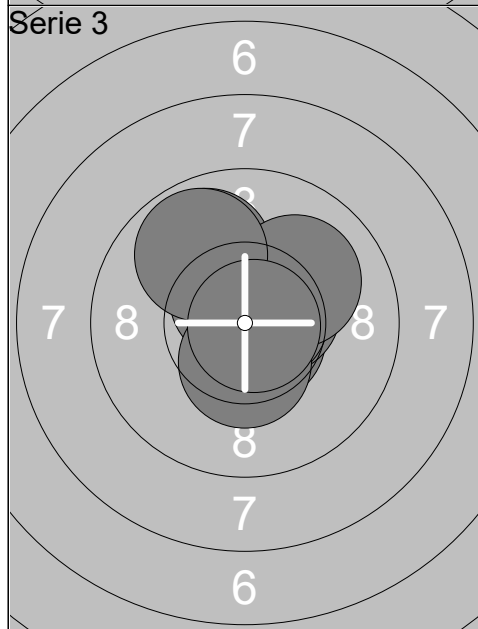
1:	9.6	↓
2:	10.2x	↗
3:	9.4	←
4:	10.4x	↗
5:	10.3x	↑
6:	10.0	↓
7:	9.9	↗
8:	10.5x	←
9:	9.9	↑
10:	8.9	←
Series		99.1
		599.4



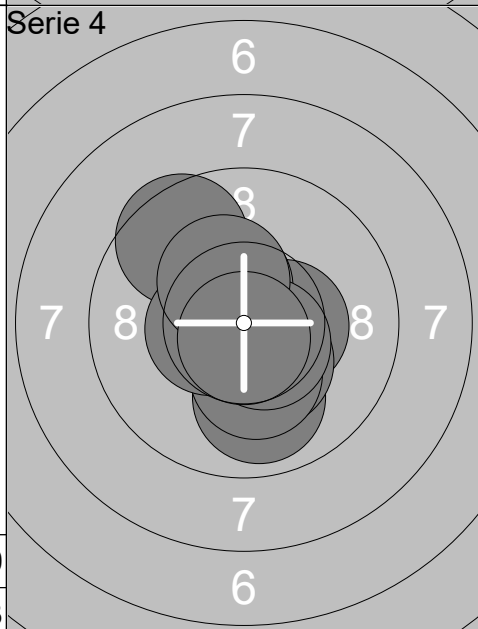
1:	10.4x ↓
2:	10.0 ↓
3:	10.6x ↓
4:	9.9 ↗
5:	10.0 ↑
6:	10.3x ↙
7:	10.2x ↓
8:	9.8 ↑
9:	10.1 ↓
10:	9.9 ↑
Series	101.2
	101.2



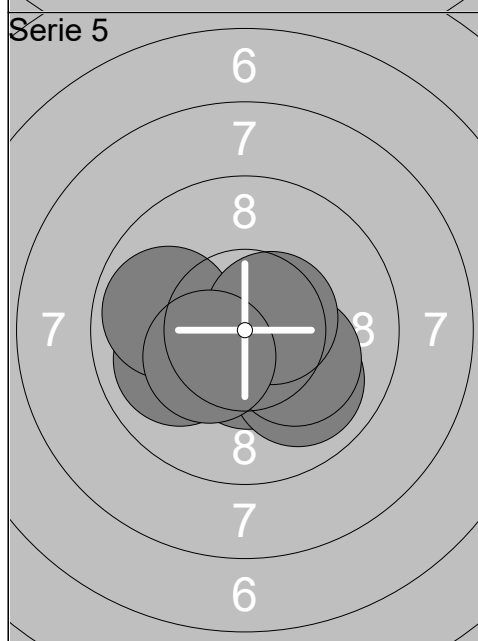
1:	9.9 ↓
2:	9.9 ↓
3:	9.9 ↗
4:	9.8 ↘
5:	10.1 ↓
6:	10.3x ↙
7:	10.2x ↑
8:	10.0 →
9:	10.6x ↓
10:	10.4x ↗
Series	101.1
	202.3



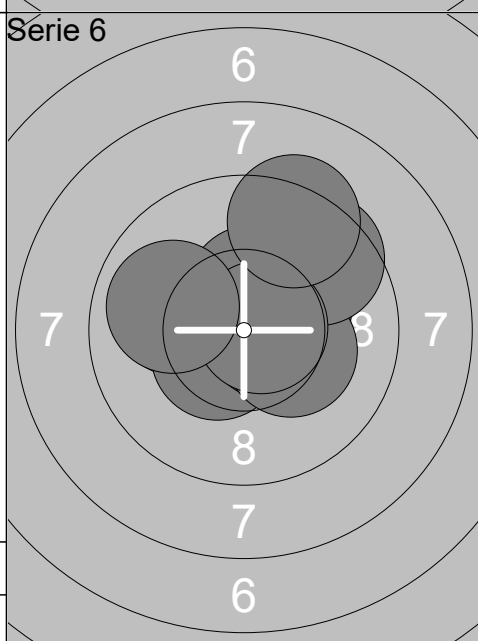
1:	10.6x ↗
2:	10.7x ↘
3:	9.9 ↗
4:	10.5x ↗
5:	10.5x ↑
6:	10.7x →
7:	10.1 ↗
8:	9.8 ↗
9:	10.4x ↓
10:	10.8x →
Series	104.0
	306.3



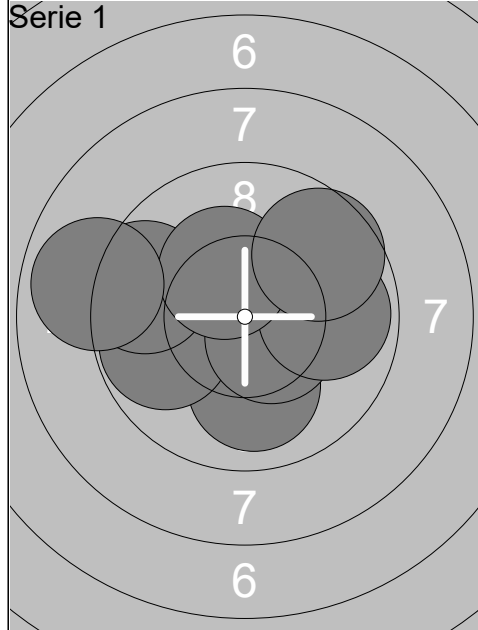
1:	10.4x →
2:	9.9 ↓
3:	10.3x ↓
4:	10.4x ↗
5:	9.5 ↗
6:	10.2x ↓
7:	10.5x ↓
8:	10.5x ↙
9:	10.3x ↗
10:	10.7x ↓
Series	102.7
	409.0



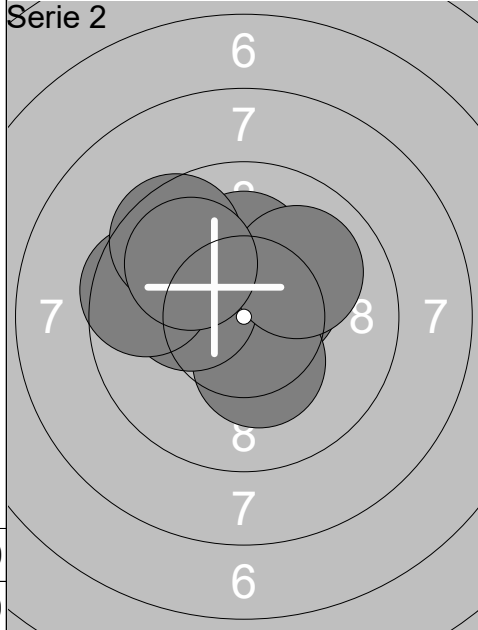
1:	10.0 ↙
2:	10.7x ↘
3:	10.4x ↙
4:	9.9 ↙
5:	10.5x ↓
6:	9.9 ↘
7:	10.7x →
8:	10.2x ↘
9:	10.5x →
10:	10.3x ↙
Series	103.1
	512.1



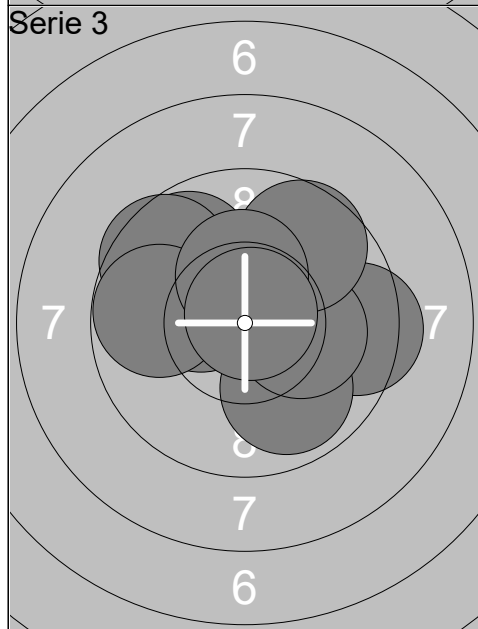
1:	10.3x ↗
2:	10.0 ↙
3:	10.4x ↙
4:	10.6x →
5:	10.2x →
6:	10.4x ↑
7:	9.5 ↗
8:	10.7x →
9:	9.3 ↗
10:	9.9 ↙
Series	101.3
	613.4



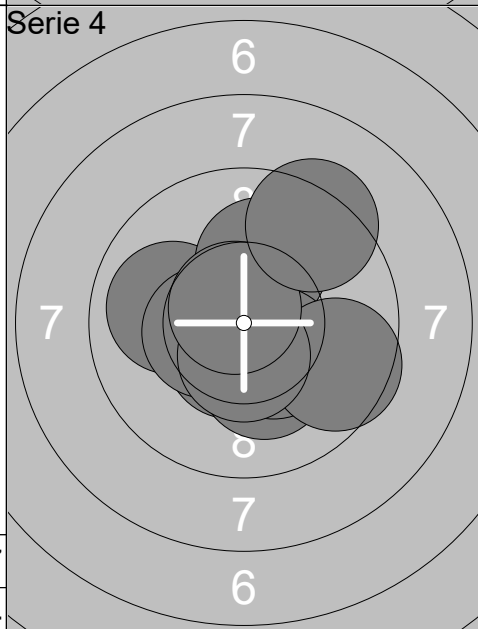
1:	10.0	←
2:	10.6x	←
3:	10.0	↓
4:	9.8	←
5:	9.5	←
6:	10.5x	↘
7:	9.8	→
8:	10.3x	↗
9:	8.9	←
10:	9.6	↗
Series	99.0	
	99.0	



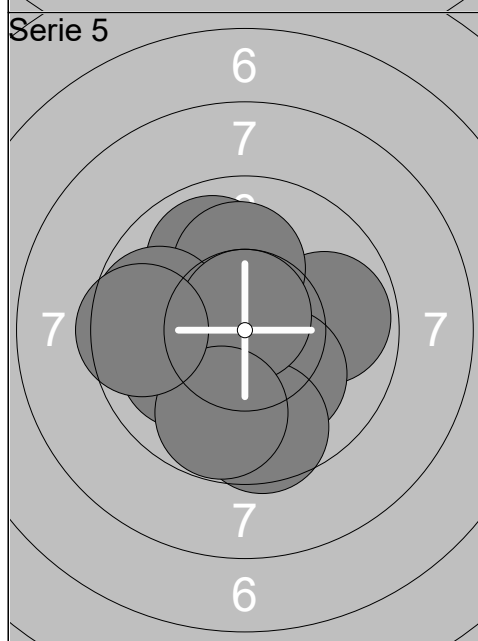
1:	10.0	←
2:	10.1	↑
3:	9.7	←
4:	10.4x	↗
5:	10.3x	↓
6:	10.2x	←
7:	9.6	←
8:	9.5	↗
9:	10.0	↗
10:	9.9	↖
Series	99.7	
	198.7	



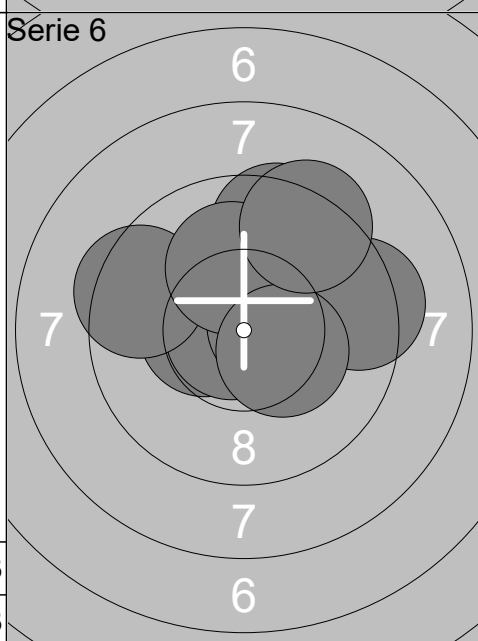
1:	9.4	→
2:	9.9	↓
3:	10.3x	←
4:	10.2x	→
5:	9.8	↗
6:	9.6	↗
7:	9.6	↖
8:	9.8	←
9:	10.3x	↑
10:	10.8x	↗
Series	99.7	
	298.4	



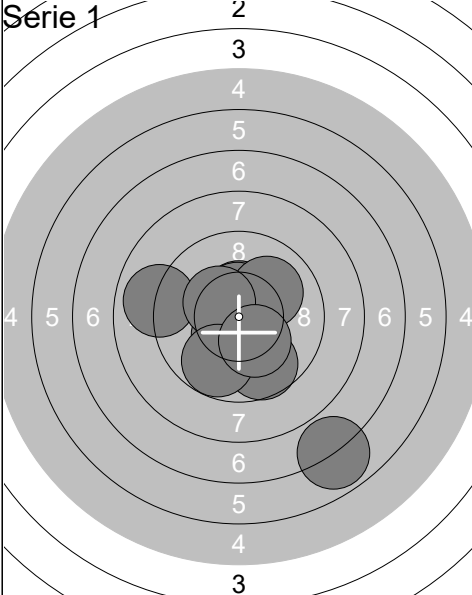
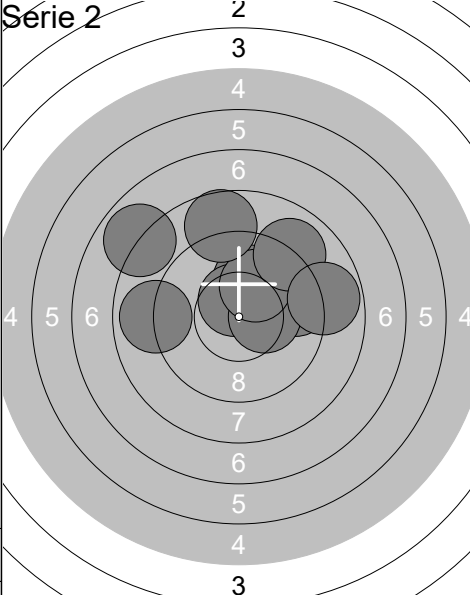
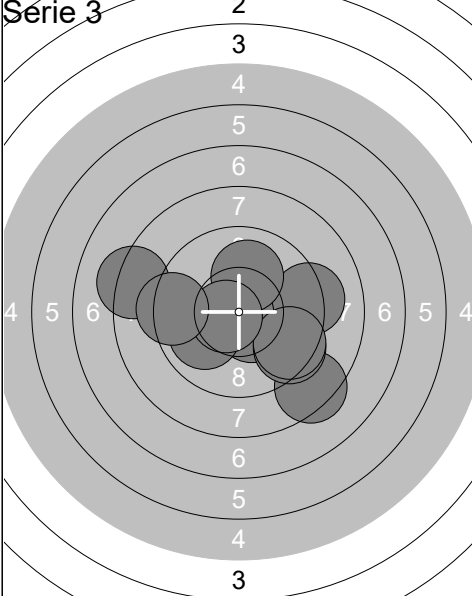
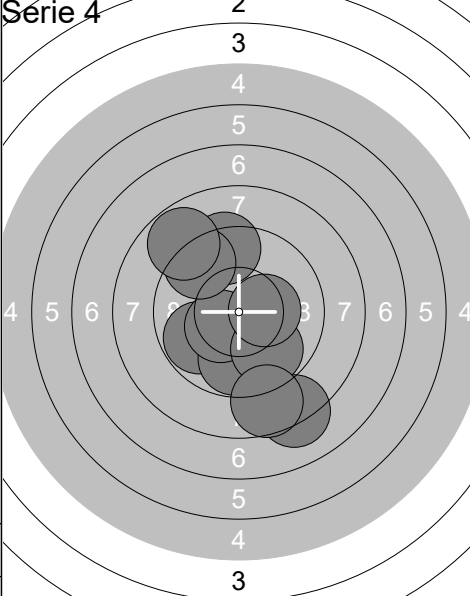
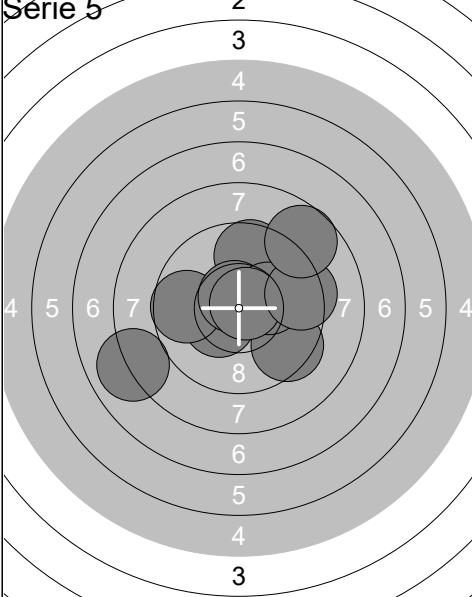
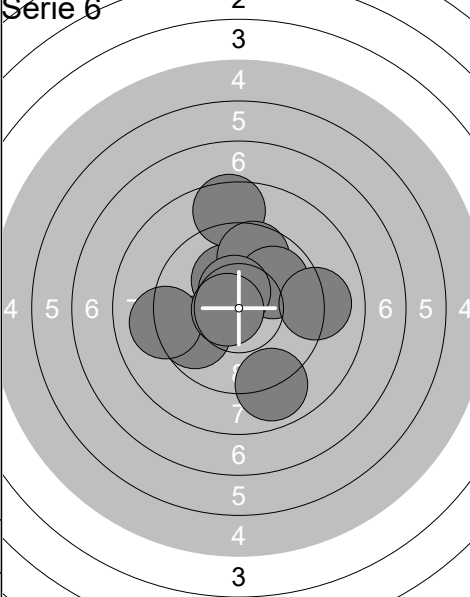
1:	9.9	←
2:	10.5x	↓
3:	10.2x	↓
4:	10.1	↑
5:	10.4x	↘
6:	9.6	→
7:	10.4x	←
8:	10.5x	↓
9:	10.7x	↘
10:	9.3	↗
Series	101.6	
	400.0	

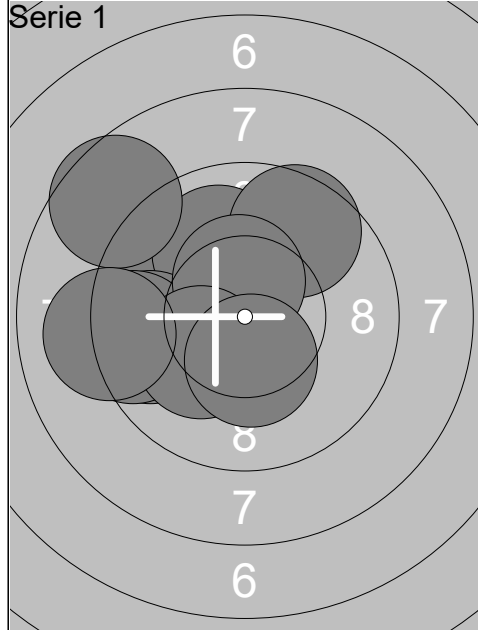


1:	10.0	←
2:	9.9	↖
3:	9.8	→
4:	10.1	↑
5:	10.2x	↘
6:	9.6	↓
7:	9.8	←
8:	10.7x	↑
9:	9.7	↓
10:	9.5	←
Series	99.3	
	499.3	

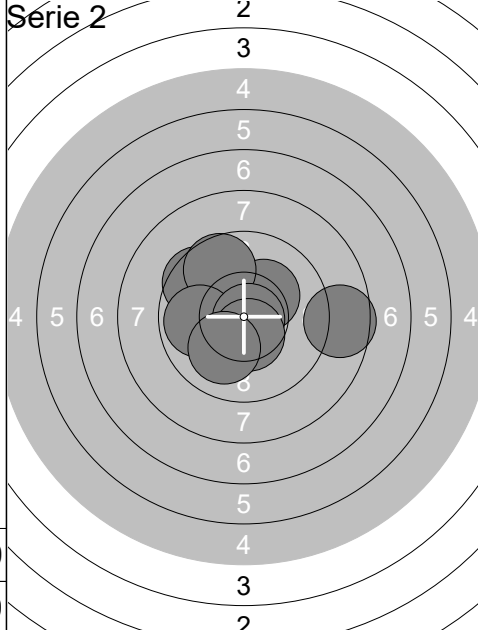


1:	10.4x	←
2:	10.8x	←
3:	9.9	↑
4:	10.5x	→
5:	9.3	→
6:	9.5	↑
7:	9.4	←
8:	10.1	↑
9:	10.4x	↘
10:	9.3	↗
Series	99.6	
	598.9	

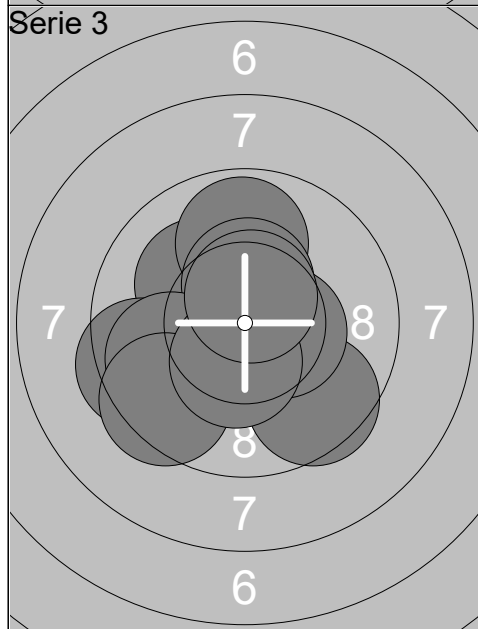
Relay	Lane	Kasper Lousdal		
Gundsøllille Megalink OPE	Boddum-Ydby Skytteforening	MJ		
18.01.2020	GMO2020 Day 2	Gundsøllille OPEN 2020		
Série 1		1: 10.4x ↑ 2: 9.6 ↓ 3: 6.8 ↓ 4: 10.5x ↑ 5: 10.4x ↓ 6: 8.9 ← 7: 10.0 ↗ 8: 10.3x ↖ 9: 9.7 ↓ 10: 10.2x ↓ Series 96.8 96.8	Série 2 	1: 10.0 ↑ 2: 10.5x ↑ 3: 9.5 → 4: 10.3x → 5: 7.8 ↖ 6: 8.9 ← 7: 10.1 ↗ 8: 8.6 ↑ 9: 9.0 ↗ 10: 8.8 → Series 93.5 190.3
Série 3		1: 8.4 ↓ 2: 10.5x ↓ 3: 8.3 ← 4: 9.9 ← 5: 9.2 → 6: 10.0 ↑ 7: 9.4 ↓ 8: 9.5 ↓ 9: 10.6x ← 10: 9.3 ← Series 95.1 285.4	Série 4 	1: 8.1 ↓ 2: 9.8 ↖ 3: 9.8 ↓ 4: 10.4x ↖ 5: 9.8 ↓ 6: 9.3 ↑ 7: 9.4 ↗ 8: 8.6 ↓ 9: 10.3x → 10: 8.8 ↗ Series 94.3 379.7
Série 5		1: 10.4x ↖ 2: 9.7 ← 3: 8.0 ← 4: 9.6 ↑ 5: 9.4 ↓ 6: 10.6x ↗ 7: 10.2x → 8: 10.7x ↗ 9: 9.4 → 10: 8.7 ↗ Series 96.7 476.4	Série 6 	1: 9.7 ↖ 2: 10.2x ↗ 3: 8.5 ↑ 4: 9.6 ↑ 5: 9.9 ↗ 6: 9.1 ← 7: 10.5x ↑ 8: 10.6x ← 9: 8.9 ↓ 10: 9.0 → Series 96.0 572.4



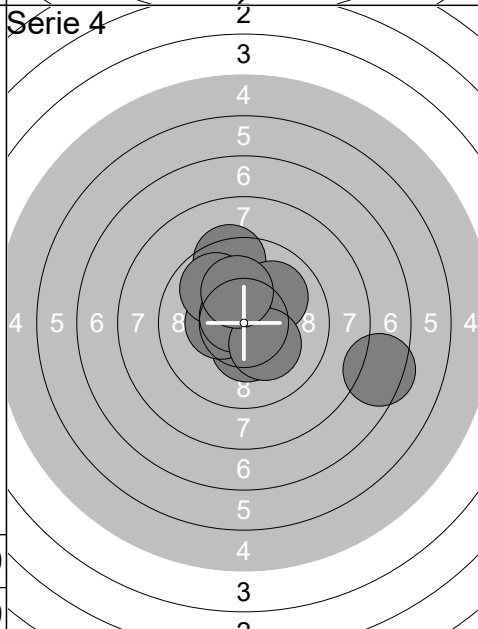
1:	9.7	↖
2:	10.0	↗
3:	9.6	↗
4:	8.6	↖
5:	9.6	←
6:	9.4	←
7:	10.4x	↗
8:	10.2x	↙
9:	10.3x	↓
10:	9.1	←
Series	96.9	
	96.9	



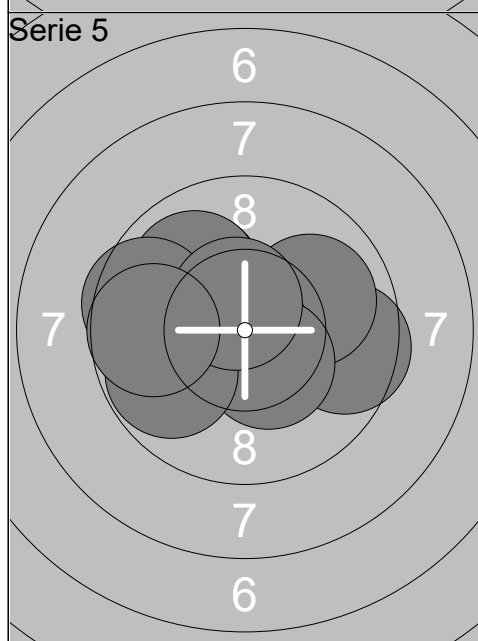
1:	10.4x	↗
2:	9.5	↖
3:	10.6x	↓
4:	8.6	→
5:	10.2x	↗
6:	9.6	↗
7:	9.9	←
8:	10.8x	↘
9:	10.5x	↓
10:	10.0	↙
Series	100.1	
	197.0	



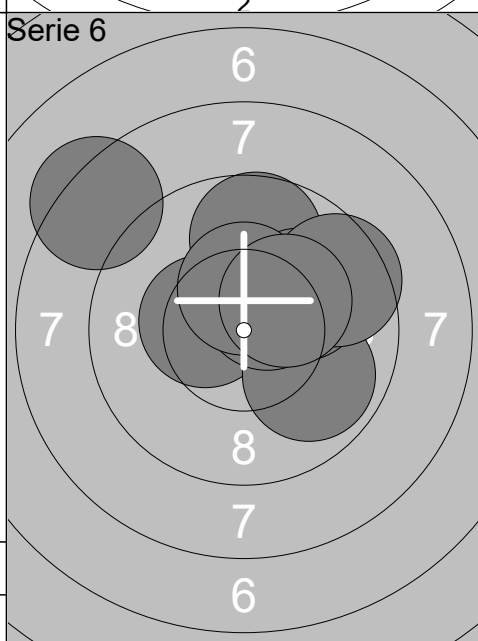
1:	9.5	↘
2:	10.1	↖
3:	9.9	↗
4:	10.4x	↗
5:	9.4	←
6:	9.8	←
7:	9.4	↘
8:	10.4x	→
9:	10.4x	↓
10:	10.6x	↗
Series	99.9	
	296.9	



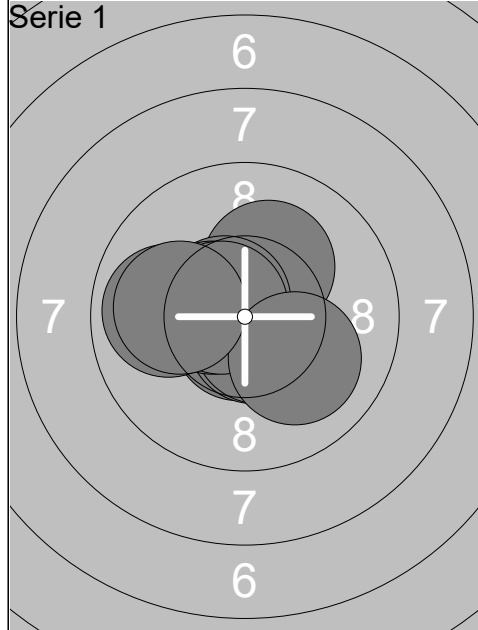
1:	9.4	↗
2:	10.6x	↓
3:	10.0	↗
4:	10.4x	↓
5:	10.4x	←
6:	9.8	↗
7:	7.4	→
8:	10.7x	↖
9:	10.2x	↘
10:	10.2x	↗
Series	99.1	
	396.0	



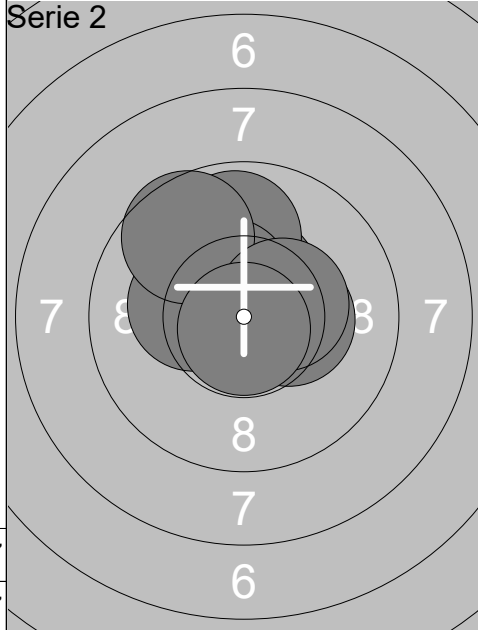
1:	9.5	→
2:	10.0	↖
3:	9.9	→
4:	9.9	↖
5:	10.8x	↓
6:	10.4x	↘
7:	9.6	←
8:	9.8	←
9:	10.5x	↗
10:	9.7	←
Series	100.1	
	496.1	



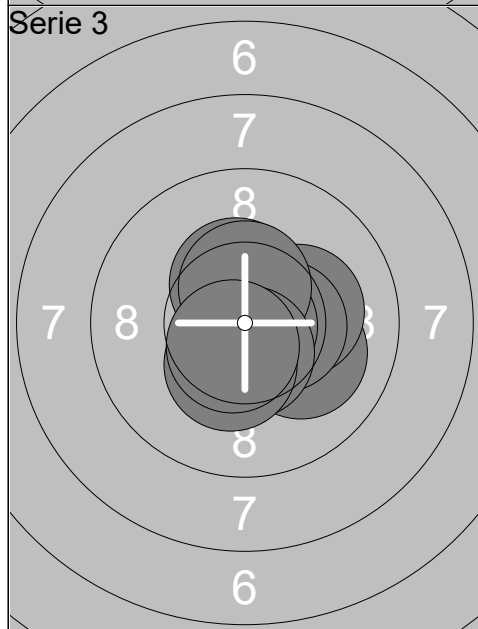
1:	10.0	↗
2:	9.7	↗
3:	8.3	↖
4:	10.4x	←
5:	9.9	↘
6:	10.0	↗
7:	10.4x	↗
8:	10.4x	↗
9:	9.5	↗
10:	10.2x	↗
Series	98.8	
	594.9	



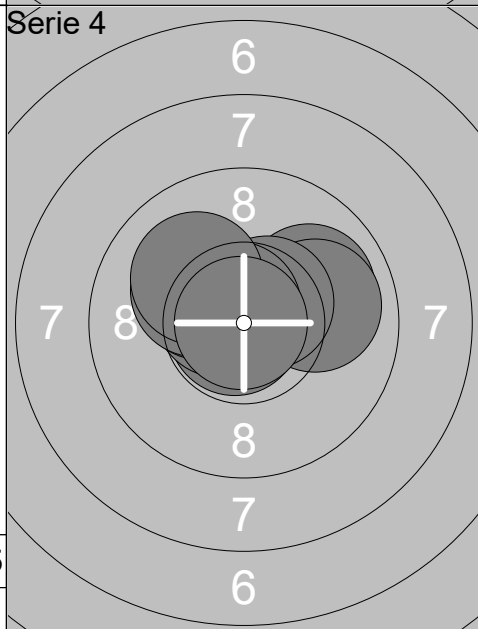
1:	10.7x ↓
2:	10.6x ↓
3:	10.6x ↓
4:	9.9 ←
5:	10.2x ↗
6:	10.6x ↖
7:	10.5x ↖
8:	10.6x ↖
9:	10.0 ↓
10:	10.0 ←
Series 103.7	
103.7	



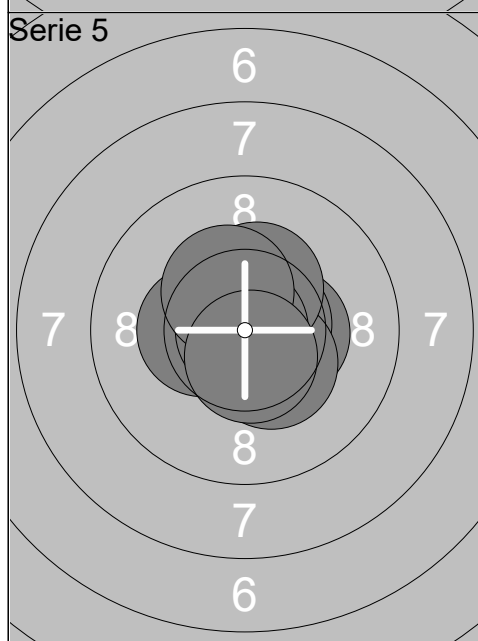
1:	10.6x ↖
2:	10.4x ↗
3:	10.4x ↗
4:	9.8 ↑
5:	10.3x →
6:	10.4x ↖
7:	10.2x ↖
8:	9.6 ↖
9:	10.4x →
10:	10.8x ↓
Series 102.9	
206.6	



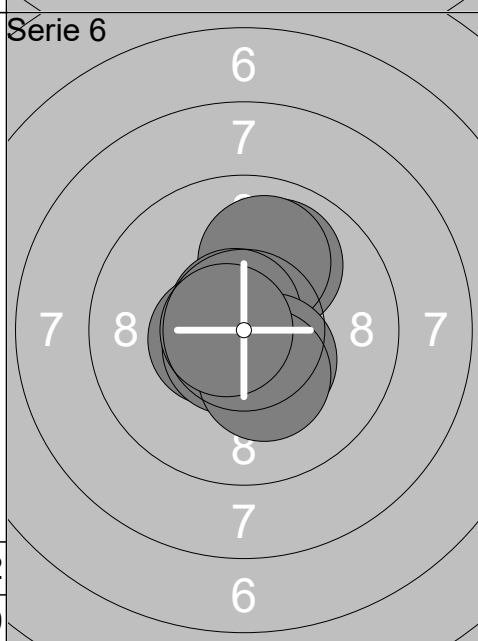
1:	10.7x ↑
2:	10.4x ↑
3:	10.1 ↓
4:	10.2x →
5:	10.5x →
6:	10.8x →
7:	10.4x ↑
8:	10.5x ↓
9:	10.3x ↓
10:	10.6x ↓
Series 104.5	
311.1	



1:	9.9 ↗
2:	10.8x ↖
3:	10.6x ↖
4:	9.9 →
5:	10.2x ↖
6:	10.1 ↖
7:	10.5x ↗
8:	10.7x ↖
9:	10.0 ↖
10:	10.9x ↖
Series 103.6	
414.7	



1:	10.5x ↑
2:	10.4x →
3:	10.4x ↖
4:	10.6x →
5:	10.7x ↓
6:	10.4x ↓
7:	10.3x ↑
8:	10.9x ↖
9:	10.4x ↖
10:	10.6x ↓
Series 105.2	
519.9	

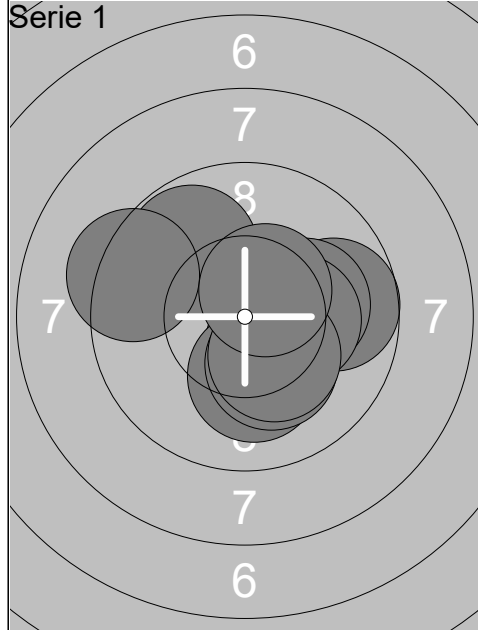


1:	10.9x ↓
2:	9.9 ↗
3:	10.0 ↗
4:	10.8x ↖
5:	10.7x ↖
6:	10.5x ↖
7:	10.6x ↖
8:	10.4x ↓
9:	10.3x ↓
10:	10.7x ↖
Series 104.8	
624.7	

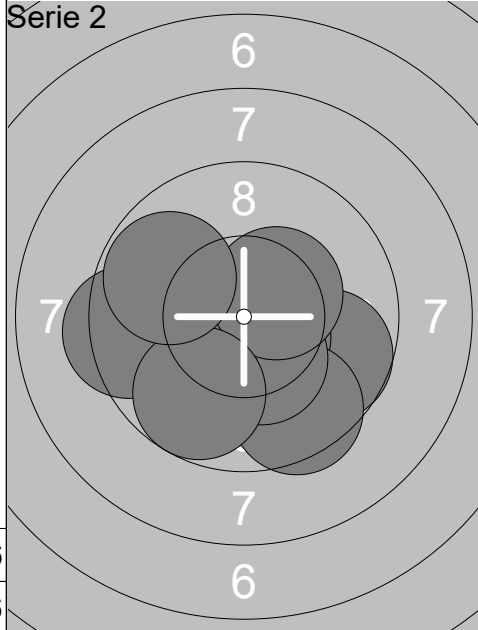
Relay 2	Lane 13	Mohammad Anas
-------------------	-------------------	----------------------

Gundsøllille Megalink OPE	India	MJ
---------------------------	-------	----

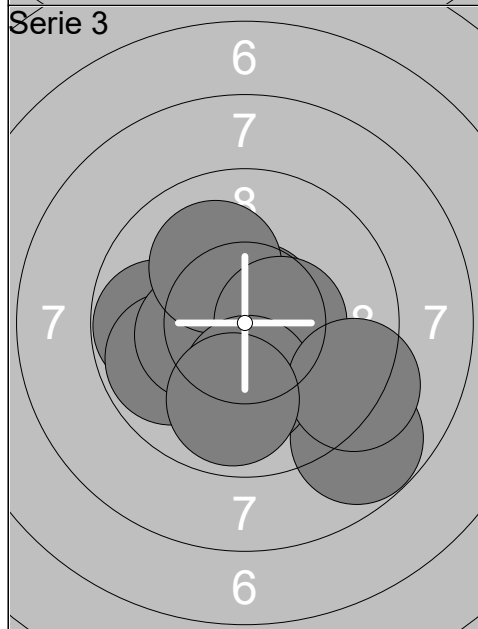
18.01.2020	GMO2020 Day 2	Gundsøllille OPEN 2020
------------	---------------	------------------------



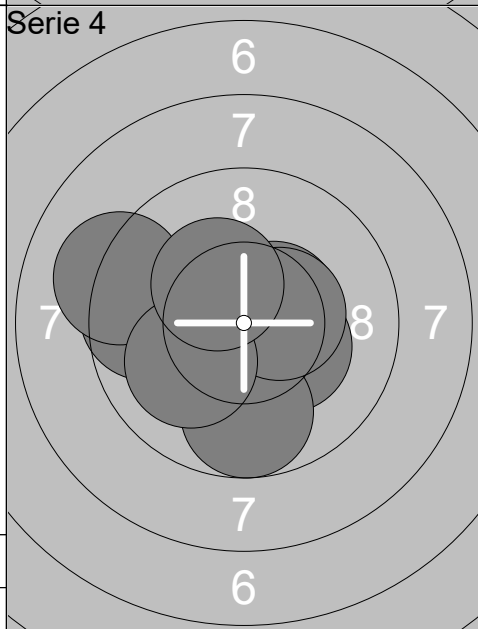
1:	9.7	→
2:	10.4x	↘
3:	10.1	→
4:	10.2x	→
5:	10.1	↓
6:	10.2x	↘
7:	9.8	↗
8:	10.3x	↘
9:	9.3	←
10:	10.5x	↗
Series	100.6	
	100.6	



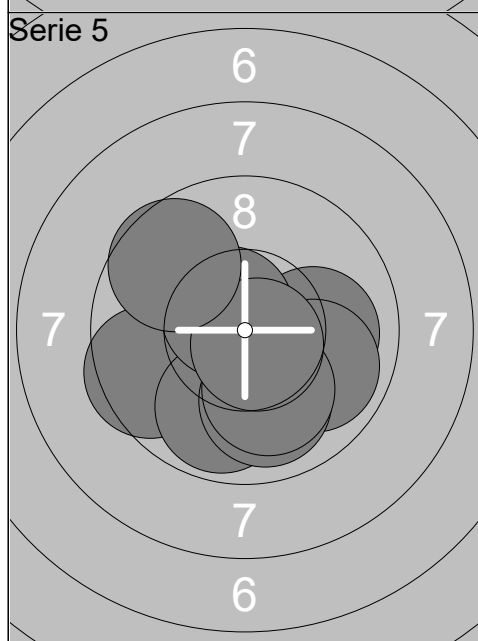
1:	9.7	↘
2:	10.5x	↘
3:	10.3x	←
4:	9.5	↘
5:	10.9x	→
6:	9.3	←
7:	10.3x	↘
8:	10.4x	↗
9:	9.7	↘
10:	9.8	←
Series	100.4	
	201.0	



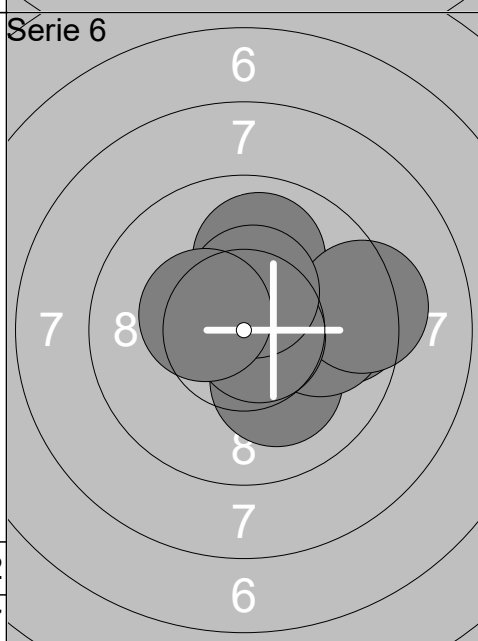
1:	9.8	←
2:	9.8	←
3:	10.7x	↗
4:	10.3x	←
5:	10.1	↗
6:	8.7	↘
7:	10.5x	→
8:	10.1	↓
9:	9.2	↘
10:	9.9	↓
Series	99.1	
	300.1	



1:	9.6	←
2:	10.7x	←
3:	10.7x	↓
4:	9.2	←
5:	10.3x	↘
6:	9.7	↓
7:	10.5x	↗
8:	10.4x	→
9:	10.0	↙
10:	10.3x	↗
Series	101.4	
	401.5	

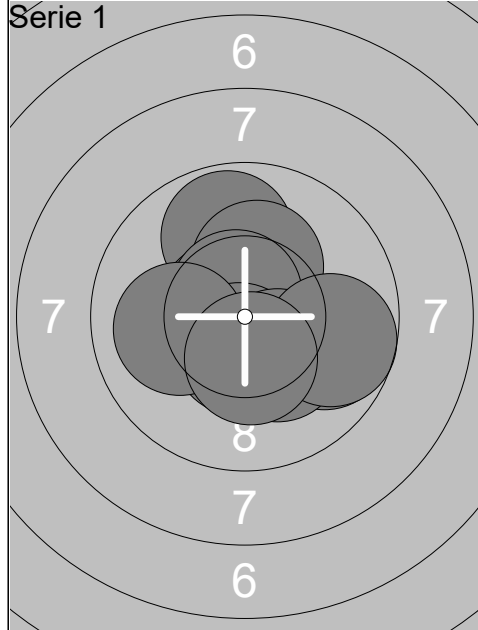


1:	10.1	↓
2:	9.5	←
3:	10.0	→
4:	9.9	↘
5:	9.8	↘
6:	9.9	↘
7:	10.6x	↗
8:	10.1	↓
9:	10.7x	↘
10:	9.6	↗
Series	100.2	
	501.7	

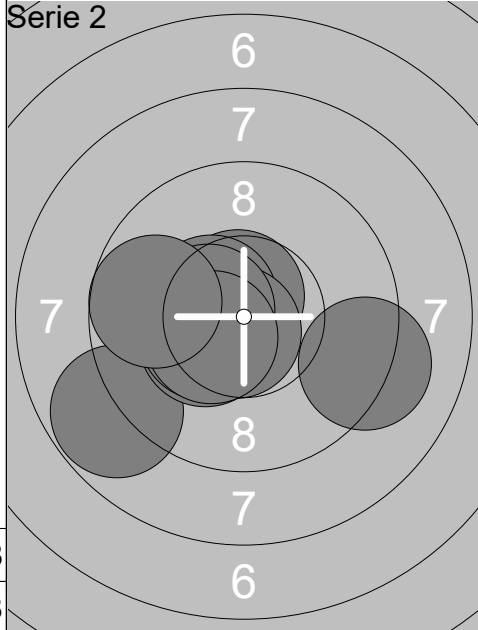


1:	9.6	→
2:	10.1	↘
3:	10.2x	↗
4:	9.9	→
5:	10.3x	↗
6:	9.9	↑
7:	9.3	→
8:	10.7x	↘
9:	10.4x	↑
10:	10.3x	←
Series	100.7	
	602.4	

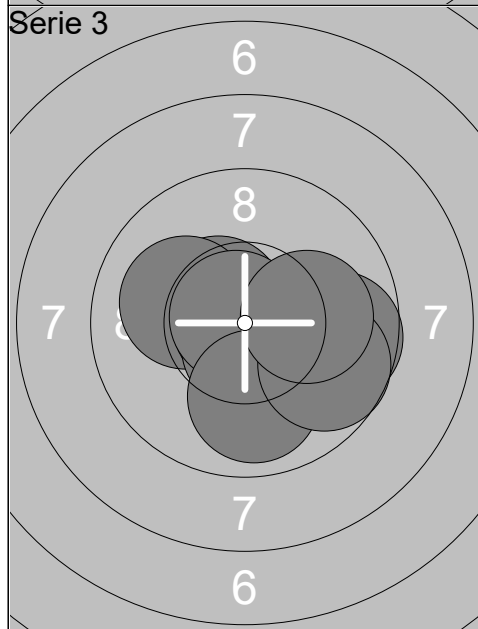
Gundsøllille Megalink Open 2020



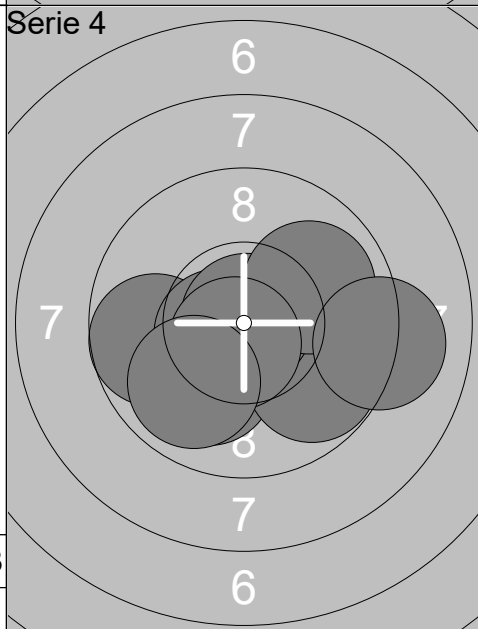
1:	9.8	↑
2:	10.2x	↑
3:	9.8	→
4:	10.6x	↖
5:	10.6x	↑
6:	10.5x	↓
7:	10.0	←
8:	10.2x	↓
9:	9.7	→
10:	10.4x	↓
Series		101.8
		101.8



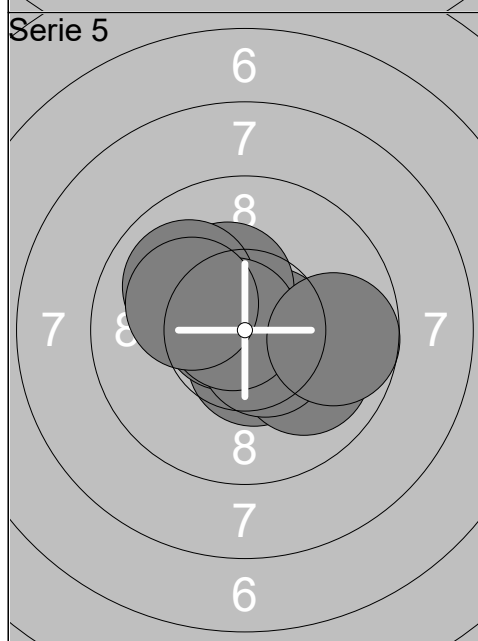
1:	10.6x	↑
2:	8.8	↙
3:	10.5x	↖
4:	9.2	→
5:	10.3x	↙
6:	10.7x	↓
7:	10.4x	↙
8:	10.4x	↖
9:	10.4x	↙
10:	9.7	←
Series		101.0
		202.8



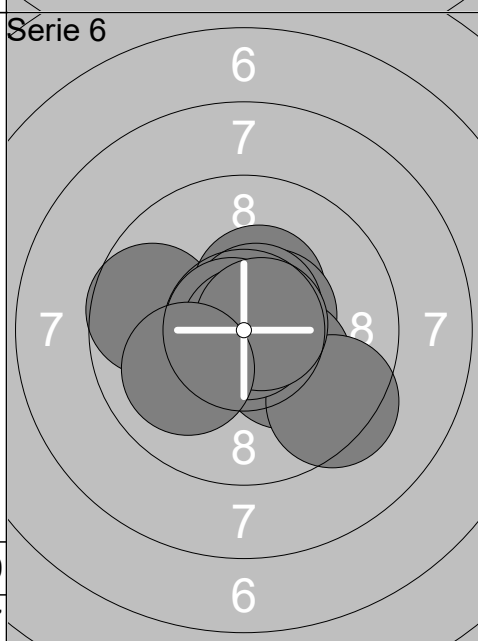
1:	10.5x	↖
2:	10.1	←
3:	10.8x	↖
4:	10.6x	↓
5:	10.1	↓
6:	9.7	→
7:	10.8x	↖
8:	9.9	↓
9:	9.7	↘
10:	10.1	→
Series		102.3
		305.1



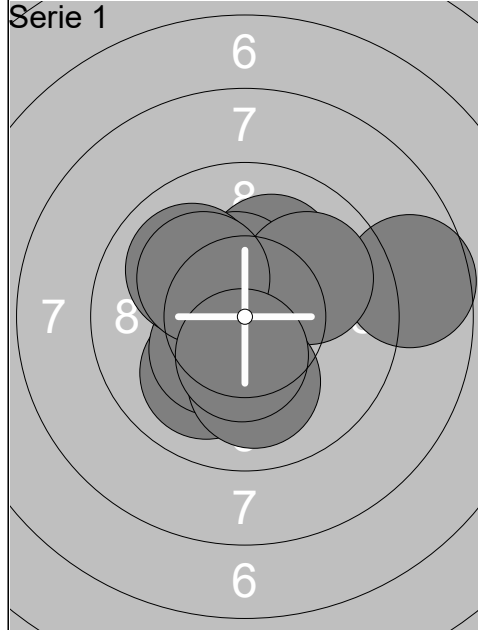
1:	10.1	→
2:	10.0	↓
3:	9.7	←
4:	10.6x	↖
5:	9.8	↘
6:	10.9x	↗
7:	9.9	↗
8:	10.6x	↓
9:	9.9	↓
10:	9.1	→
Series		100.6
		405.7



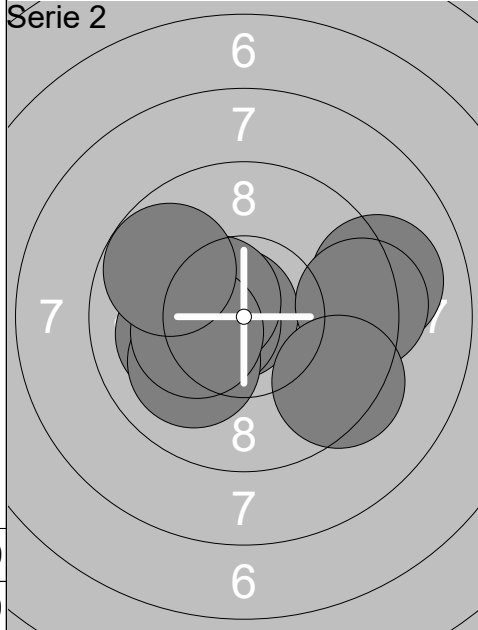
1:	10.6x	→
2:	10.5x	↓
3:	10.3x	↑
4:	10.0	↘
5:	10.7x	↖
6:	10.5x	↓
7:	9.9	↗
8:	10.7x	↖
9:	10.1	←
10:	9.7	→
Series		103.0
		508.7



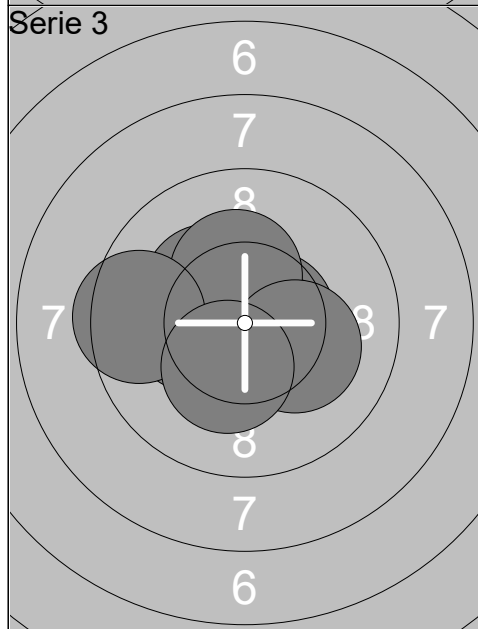
1:	9.6	←
2:	10.4x	↑
3:	10.5x	↗
4:	10.6x	↗
5:	10.7x	↖
6:	10.2x	↘
7:	9.4	↘
8:	10.9x	↓
9:	10.7x	→
10:	10.0	↙
Series		103.0
		611.7



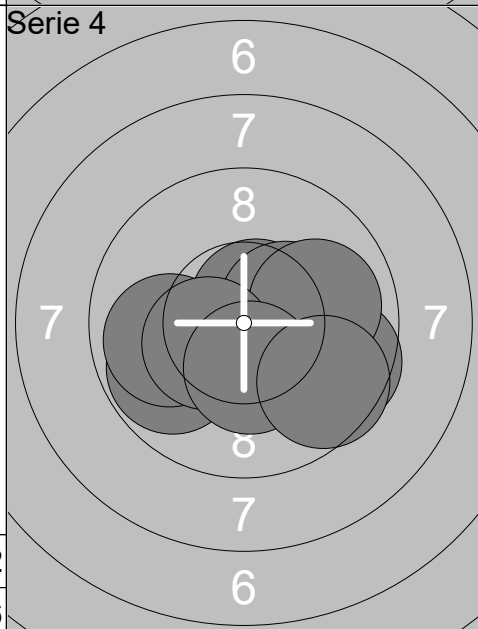
1:	10.1 ↗
2:	10.0 ↘
3:	10.4x ↗
4:	10.3x ↘
5:	10.0 ↖
6:	8.6 →
7:	9.9 ↗
8:	10.2x ↖
9:	10.0 ↓
10:	10.4x ↓
Series	99.9
	99.9



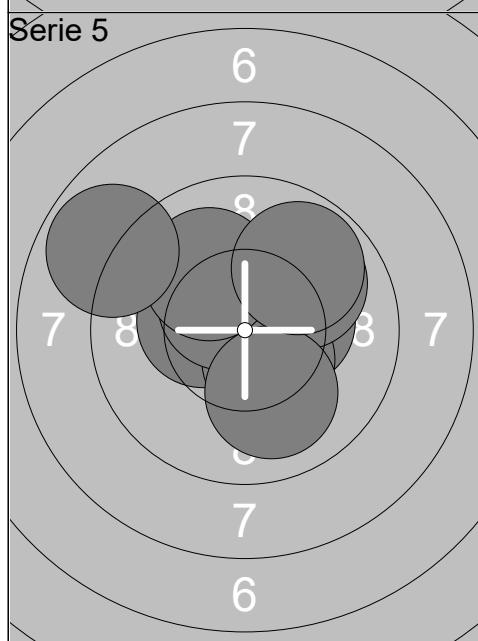
1:	9.1 →
2:	10.8x ←
3:	10.5x ←
4:	10.0 ←
5:	10.5x ↖
6:	10.0 ↘
7:	10.2x ←
8:	9.3 →
9:	9.4 ↘
10:	9.7 ↖
Series	99.5
	199.4



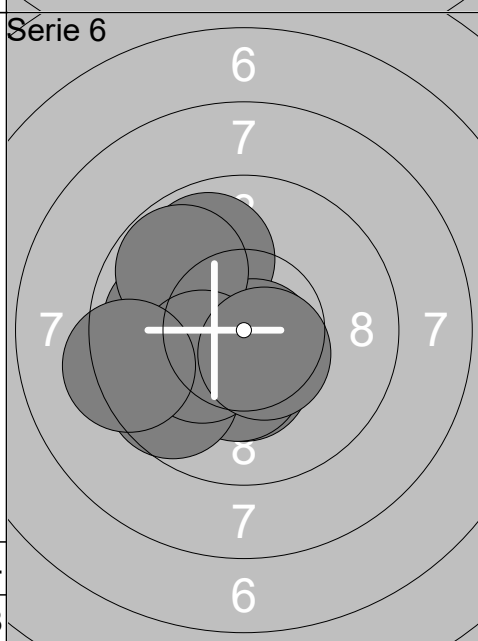
1:	10.3x ↖
2:	10.5x ↓
3:	10.3x ←
4:	10.6x →
5:	10.4x ↘
6:	10.8x ↗
7:	10.3x ↗
8:	10.2x ↘
9:	9.5 ←
10:	10.3x ↓
Series	103.2
	302.6



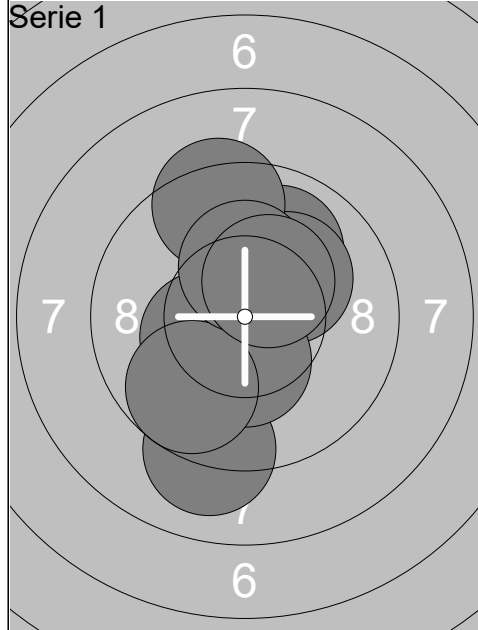
1:	9.8 ↖
2:	10.4x ↘
3:	9.9 ←
4:	10.6x ↗
5:	9.6 ↘
6:	10.3x →
7:	9.9 →
8:	10.4x ↖
9:	10.3x ↓
10:	9.6 ↘
Series	100.8
	403.4



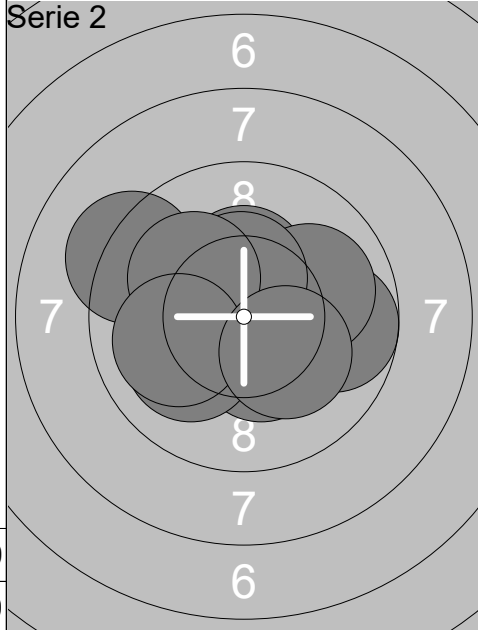
1:	10.4x ←
2:	10.3x →
3:	10.3x ↗
4:	10.4x ↘
5:	9.9 ↗
6:	10.5x ↖
7:	10.0 ↓
8:	10.0 ↗
9:	8.8 ↖
10:	9.8 ↗
Series	100.4
	503.8



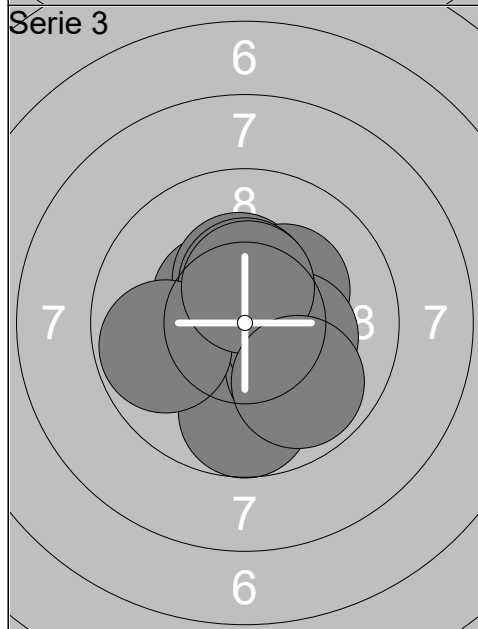
1:	10.3x ↓
2:	10.3x ↓
3:	9.8 ↗
4:	10.7x ↘
5:	9.6 ↖
6:	9.9 ←
7:	9.8 ↗
8:	10.3x ↖
9:	10.5x ↘
10:	9.3 ←
Series	100.5
	604.3



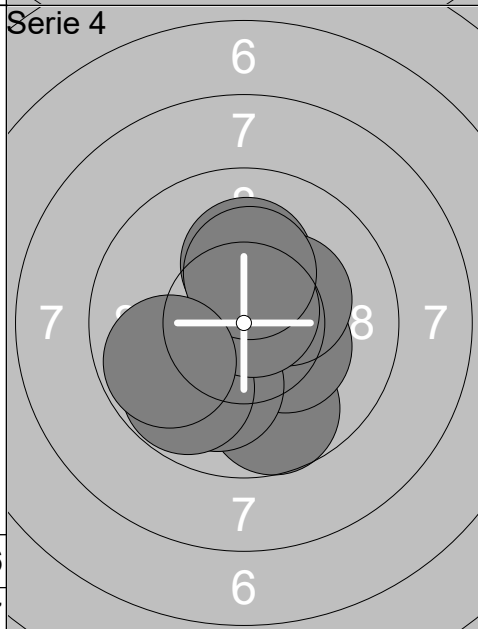
1:	9.1	↓
2:	10.4x	↙
3:	9.9	↗
4:	10.2x	↗
5:	10.3x	↙
6:	10.3x	↓
7:	9.7	↙
8:	9.4	↑
9:	10.2x	↑
10:	10.4x	↗
Series	99.9	
	99.9	



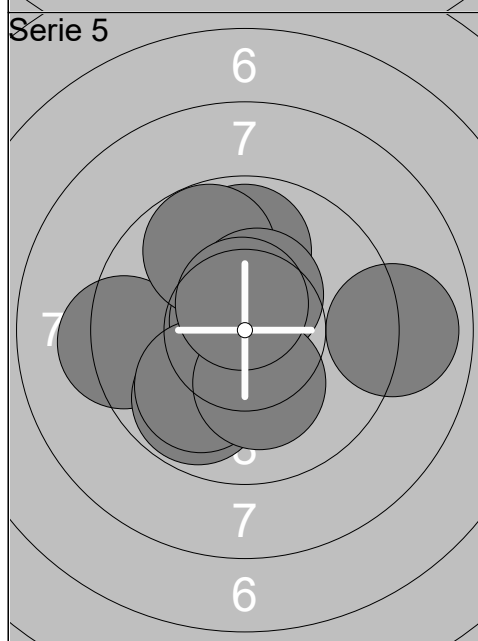
1:	10.3x	↑
2:	10.3x	↓
3:	9.7	→
4:	10.0	→
5:	9.2	↖
6:	10.4x	↑
7:	10.1	↖
8:	10.0	↙
9:	10.0	←
10:	10.2x	↘
Series	100.2	
	200.1	



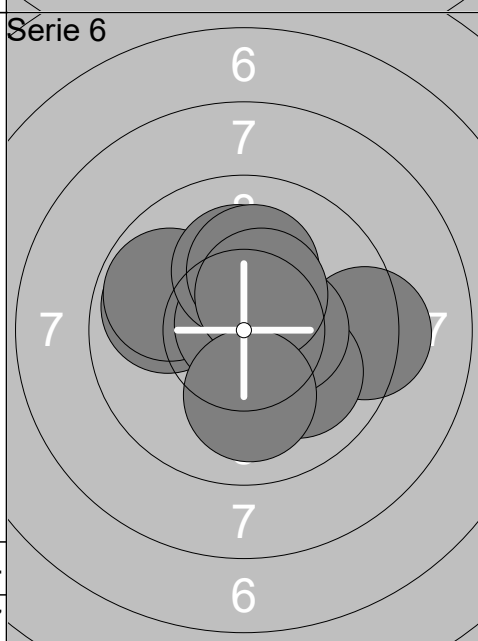
1:	10.4x	↖
2:	9.7	↓
3:	10.1	↘
4:	10.3x	↑
5:	10.3x	↗
6:	10.3x	→
7:	10.4x	↑
8:	9.8	←
9:	10.4x	↑
10:	9.9	↘
Series	101.6	
	301.7	



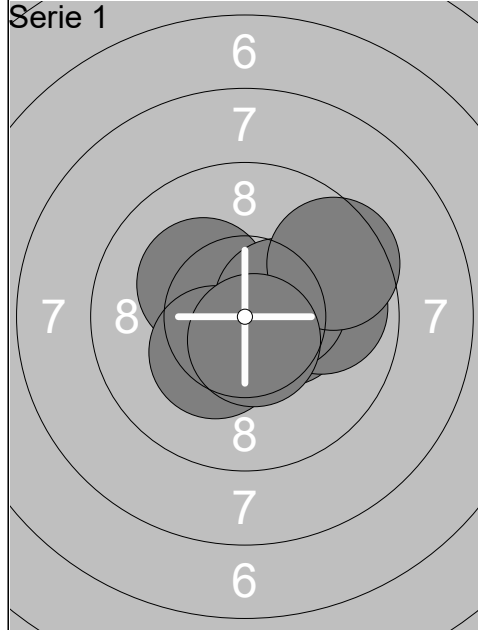
1:	9.7	↓
2:	10.7x	→
3:	10.3x	↘
4:	10.1	↑
5:	10.0	↓
6:	9.8	↙
7:	10.3x	↗
8:	10.7x	↗
9:	10.2x	↑
10:	9.8	↖
Series	101.6	
	403.3	



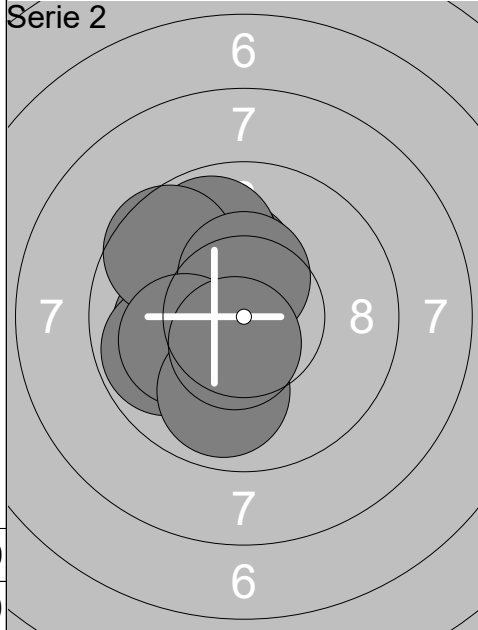
1:	9.3	←
2:	10.7x	↖
3:	9.8	↑
4:	9.8	↗
5:	10.4x	↗
6:	9.8	↙
7:	9.9	↙
8:	10.2x	↓
9:	10.6x	↑
10:	8.9	→
Series	99.4	
	502.7	



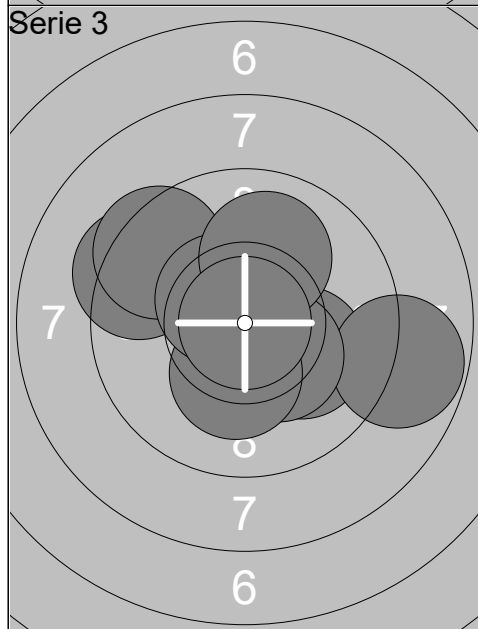
1:	9.8	↖
2:	9.8	↖
3:	9.3	→
4:	10.0	↘
5:	10.8x	↖
6:	10.1	↑
7:	10.1	↑
8:	10.4x	→
9:	10.4x	↗
10:	10.0	↓
Series	100.7	
	603.4	



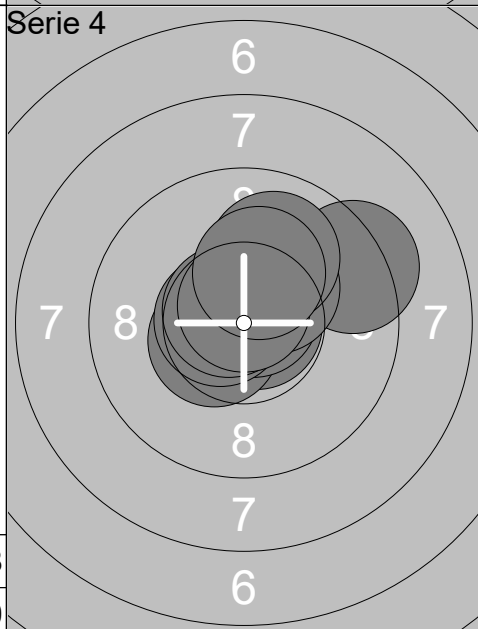
1:	10.6x ←
2:	10.4x →
3:	10.5x →
4:	10.6x →
5:	10.2x ↖
6:	9.9 →
7:	10.4x →
8:	9.5 ↗
9:	10.3x ↙
10:	10.6x ↓
Series	103.0
	103.0



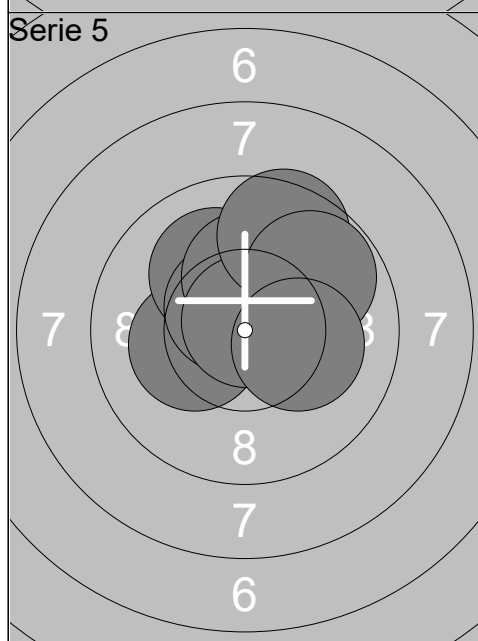
1:	10.2x ↑
2:	9.9 ↑
3:	9.8 ↑
4:	10.0 ←
5:	9.8 ←
6:	9.6 ↖
7:	10.4x ↑
8:	10.1 ←
9:	9.9 ↓
10:	10.5x ↓
Series	100.2
	203.2



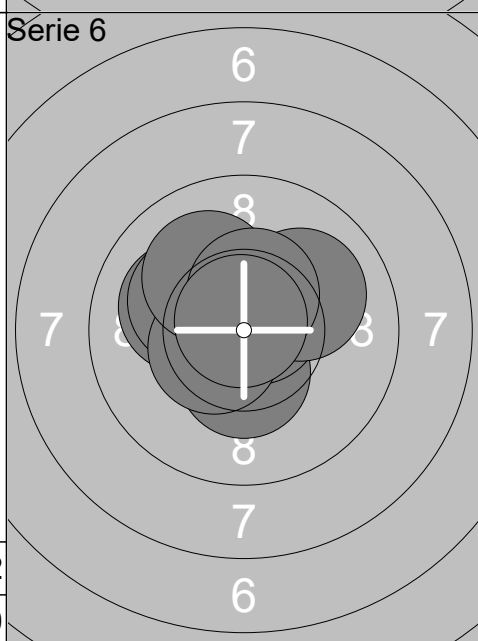
1:	10.1 ↘
2:	8.8 →
3:	10.3x ↓
4:	10.2x ↓
5:	9.3 ↖
6:	10.3x ↑
7:	9.4 ↗
8:	10.5x ↖
9:	10.0 ↑
10:	10.9x
Series	99.8
	303.0



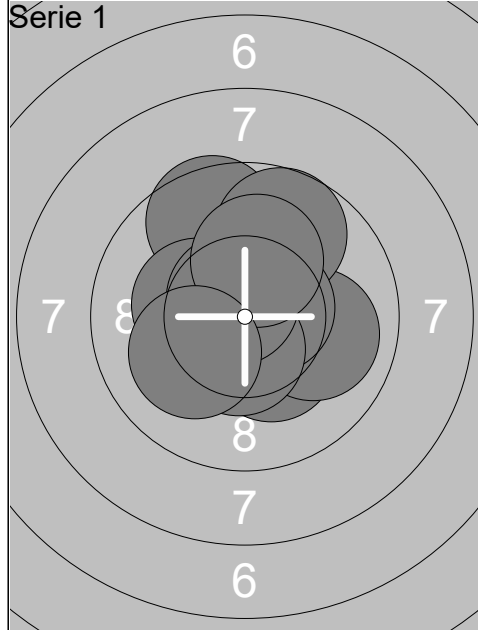
1:	10.8x →
2:	9.3 ↗
3:	10.5x ↙
4:	10.7x ↗
5:	10.6x ←
6:	10.3x ↗
7:	10.7x ↖
8:	10.7x ↑
9:	10.0 ↑
10:	10.2x ↑
Series	103.8
	406.8



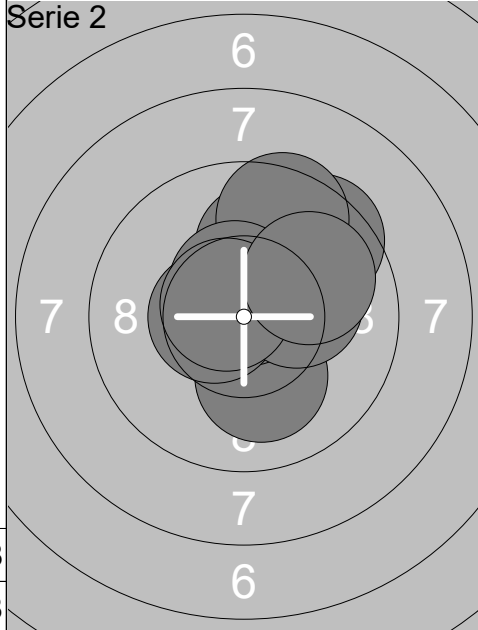
1:	10.7x ↑
2:	10.2x ↗
3:	10.2x ←
4:	10.1 ↑
5:	10.5x ↖
6:	10.2x ↑
7:	10.8x ↑
8:	9.5 ↑
9:	9.8 ↗
10:	10.2x →
Series	102.2
	509.0



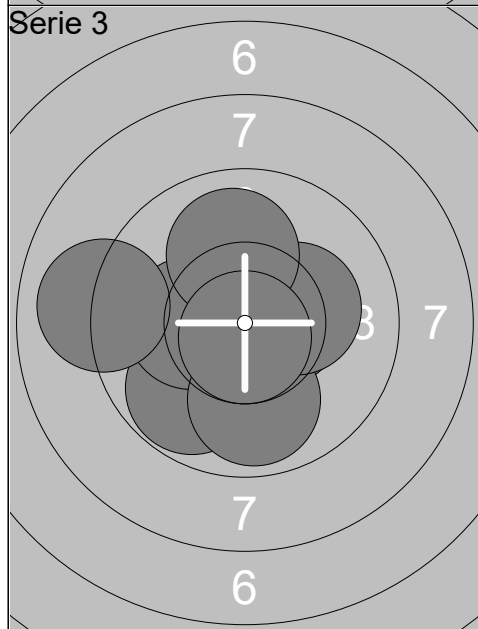
1:	10.5x ↖
2:	10.1 ←
3:	10.4x ↓
4:	10.2x ↖
5:	10.7x ↗
6:	10.4x ↙
7:	10.1 ↖
8:	10.0 ↗
9:	10.4x ↑
10:	10.8x ↑
Series	103.6
	612.6



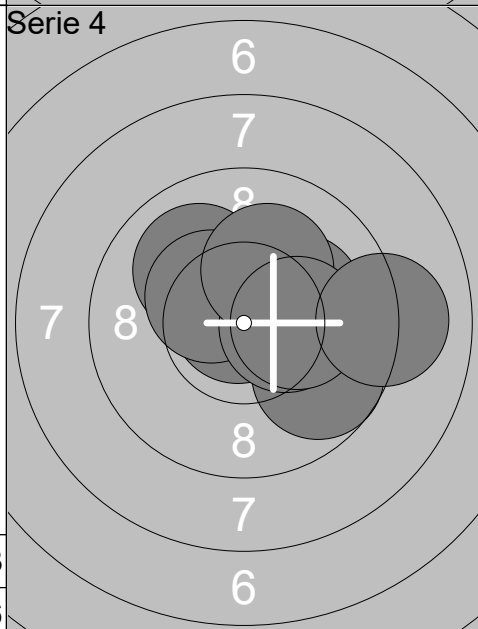
1:	10.3x	↘
2:	9.6	↑
3:	10.0	→
4:	9.7	↑
5:	10.6x	→
6:	10.5x	↓
7:	10.3x	←
8:	10.6x	↖
9:	10.1	↑
10:	10.1	↙
Series	101.8	
	101.8	



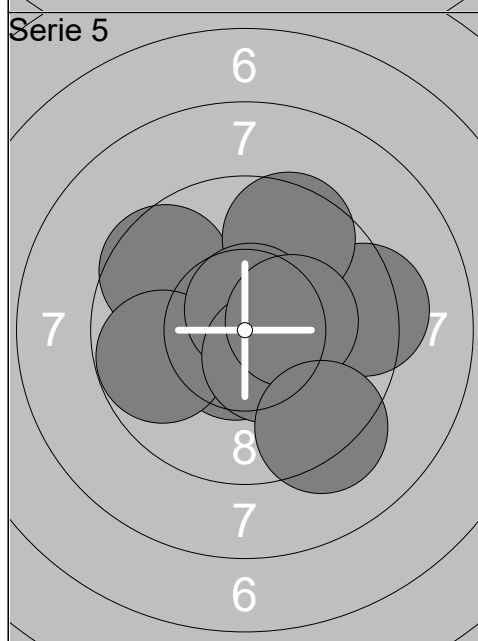
1:	10.1	↓
2:	10.7x	↑
3:	10.0	↑
4:	9.5	↗
5:	9.5	↑
6:	10.5x	←
7:	10.2x	→
8:	10.5x	↑
9:	10.6x	↖
10:	9.9	↗
Series	101.5	
	203.3	



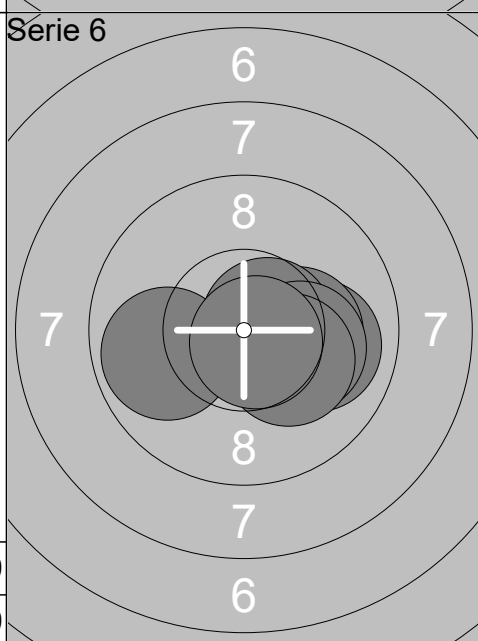
1:	9.8	↘
2:	10.5x	↗
3:	10.5x	→
4:	10.5x	↖
5:	10.2x	←
6:	9.9	↓
7:	10.2x	→
8:	9.0	←
9:	10.0	↑
10:	10.7x	↓
Series	101.3	
	304.6	



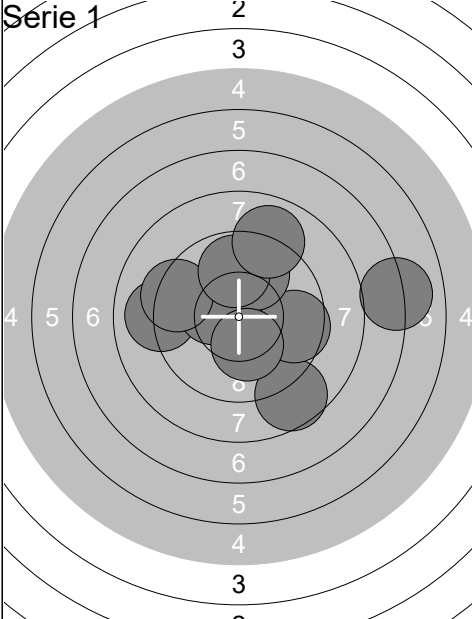
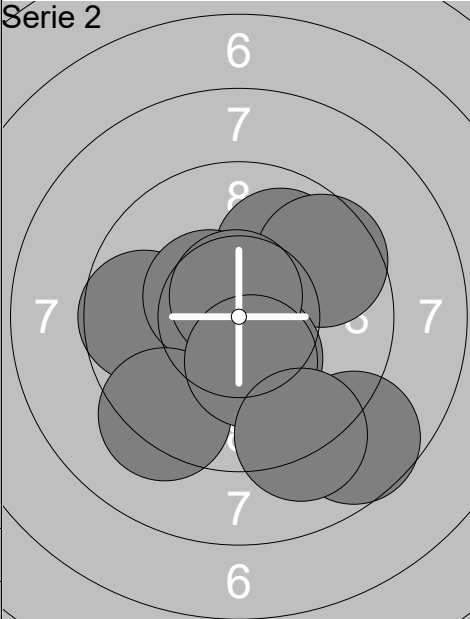
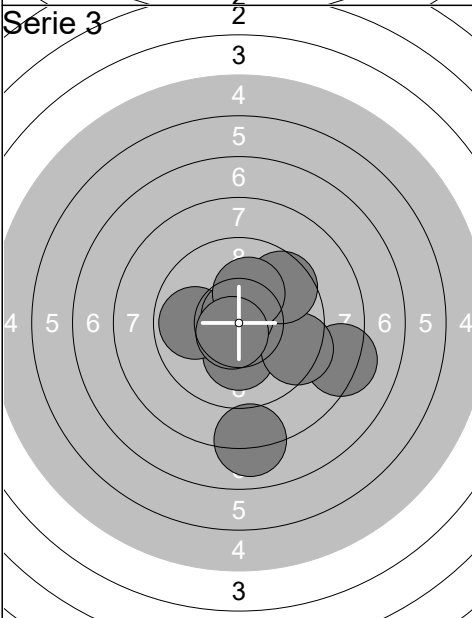
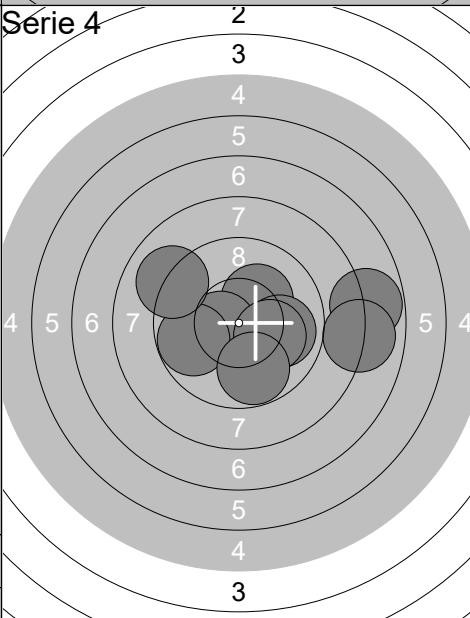
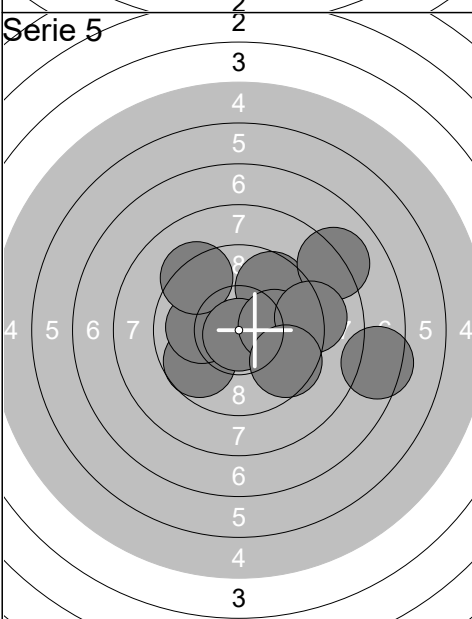
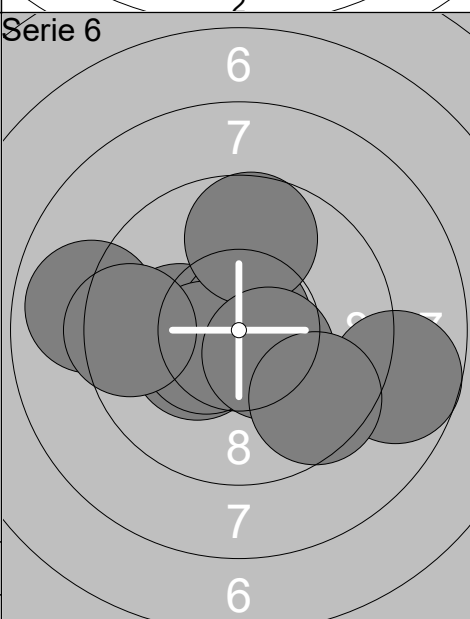
1:	10.0	↖
2:	10.6x	↗
3:	10.2x	→
4:	10.8x	↖
5:	9.7	↘
6:	10.3x	↖
7:	10.4x	→
8:	10.1	↑
9:	10.2x	→
10:	9.1	→
Series	101.4	
	406.0	

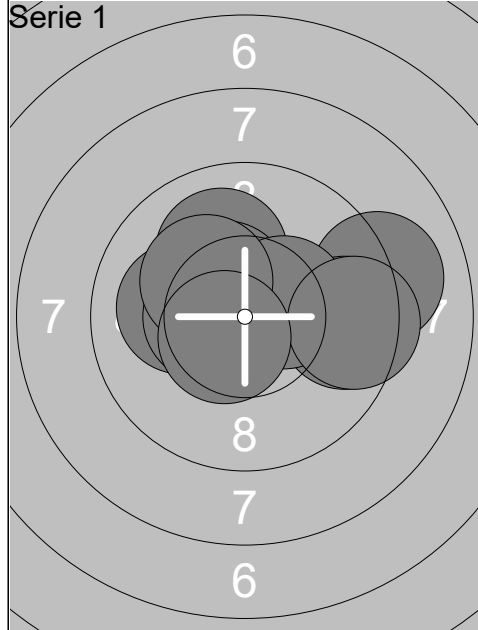


1:	9.7	→
2:	9.6	↖
3:	10.6x	↓
4:	9.3	→
5:	9.5	↑
6:	9.7	←
7:	10.6x	↑
8:	10.4x	↘
9:	10.3x	→
10:	9.2	↘
Series	98.9	
	504.9	

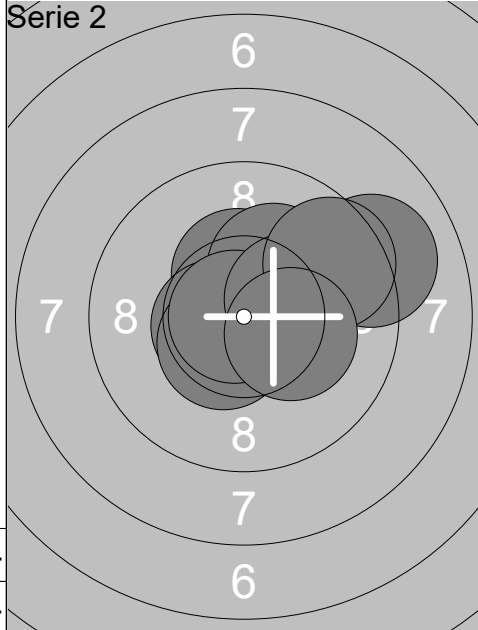


1:	9.8	←
2:	9.9	→
3:	10.2x	→
4:	10.5x	→
5:	10.2x	→
6:	10.5x	→
7:	10.6x	→
8:	10.1	→
9:	10.2x	↘
10:	10.7x	↘
Series	102.7	
	607.6	

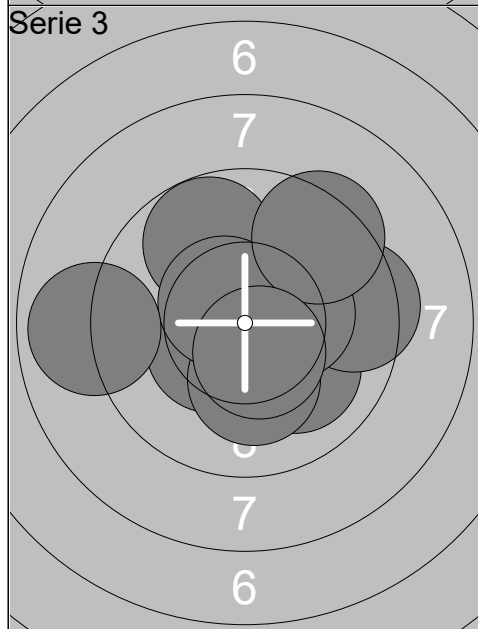
Relay	Lane	Nicklas Christensen		
Gundsøllille Megalink OPE	Aalborg Skyttekreds	MJ		
18.01.2020	GMO2020 Day 2	Gundsøllille OPEN 2020		
Serie 1		1: 8.6 ↘ 2: 9.0 ← 3: 10.2x↙ 4: 9.6 → 5: 9.8 ↑ 6: 9.3 ← 7: 9.8 ↑ 8: 10.2x↓ 9: 9.0 ↑ 10: 7.0 → Series 92.5 92.5	Serie 2 	1: 9.9 ↗ 2: 9.6 ↗ 3: 9.7 ← 4: 10.4x↖ 5: 10.3x↓ 6: 9.3 ↘ 7: 10.6x↑ 8: 8.7 ↘ 9: 10.3x↓ 10: 9.1 ↘ Series 97.9 190.4
Serie 3		1: 8.0 ↓ 2: 10.2x↓ 3: 10.6x↙ 4: 9.8 ← 5: 8.2 → 6: 9.4 → 7: 9.5 ↗ 8: 10.8x↑ 9: 10.2x↑ 10: 10.6x↘ Series 97.3 287.7	Serie 4 	1: 7.8 → 2: 10.5x↓ 3: 8.0 → 4: 10.2x↗ 5: 10.5x↙ 6: 9.9 → 7: 9.7 ← 8: 10.1 → 9: 9.0 ↖ 10: 9.8 ↓ Series 95.5 383.2
Serie 5		1: 7.4 → 2: 9.7 ↘ 3: 10.0 ← 4: 9.6 ↗ 5: 8.1 ↗ 6: 9.3 ↖ 7: 10.8x↓ 8: 10.0 → 9: 9.1 → 10: 9.5 ↘ Series 93.5 476.7	Serie 6 	1: 8.9 ← 2: 10.2x↙ 3: 10.8x↗ 4: 10.3x↙ 5: 10.4x↙ 6: 9.7 ↑ 7: 10.4x↘ 8: 8.7 → 9: 9.5 ↘ 10: 9.5 ← Series 98.4 575.1



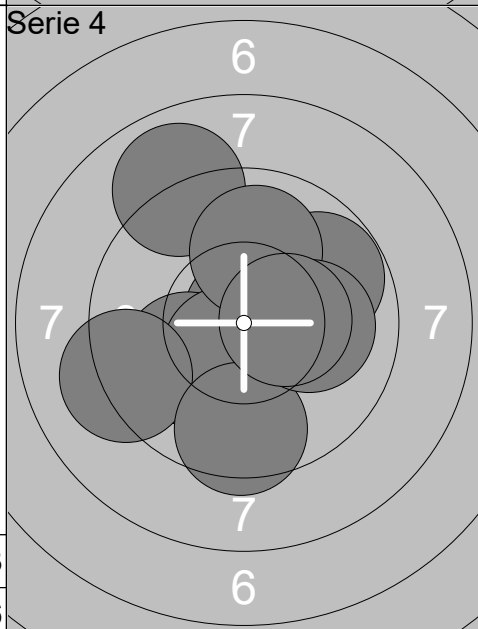
1:	9.1	→
2:	10.1	←
3:	10.5x	←
4:	10.0	↑
5:	10.5x	↖
6:	9.6	→
7:	10.4x	→
8:	9.5	→
9:	10.2x	↖
10:	10.5x	↙
Series	100.4	
	100.4	



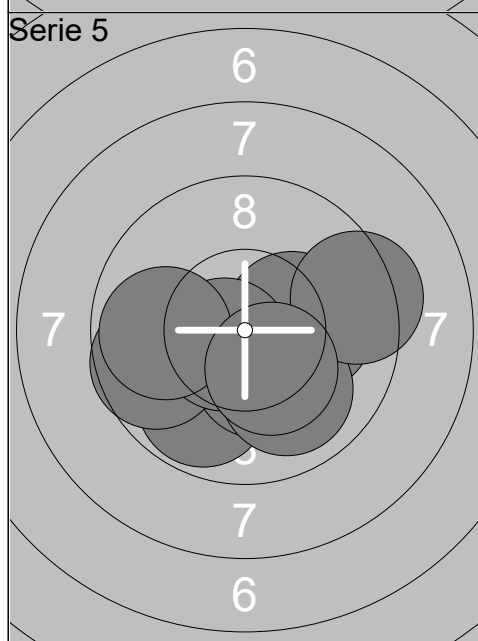
1:	10.4x	↑
2:	10.5x	←
3:	10.5x	↙
4:	10.5x	→
5:	9.0	→
6:	10.2x	↗
7:	10.8x	←
8:	10.2x	→
9:	9.6	↗
10:	10.2x	→
Series	101.9	
	202.3	



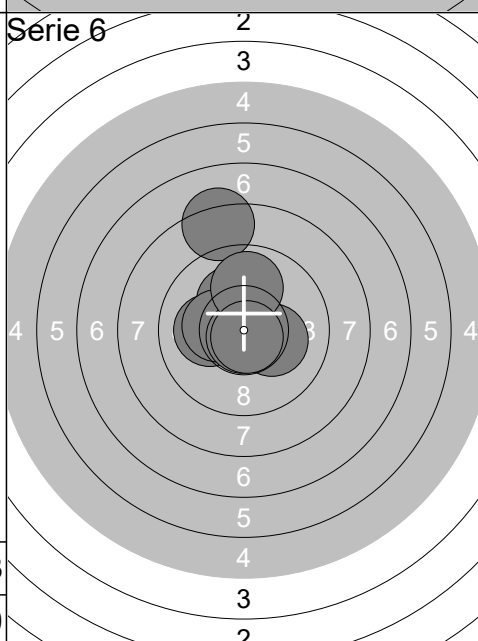
1:	10.0	↘
2:	9.4	→
3:	10.3x	→
4:	10.4x	↙
5:	10.2x	↓
6:	9.7	↑
7:	10.5x	↖
8:	9.4	↗
9:	8.9	←
10:	10.5x	↘
Series	99.3	
	301.6	



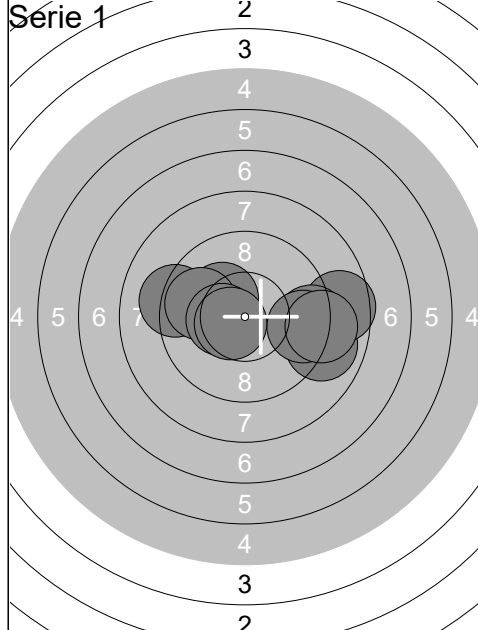
1:	10.8x	↗
2:	10.0	↙
3:	10.5x	↙
4:	8.9	↑
5:	9.8	↗
6:	9.2	←
7:	9.5	↓
8:	10.0	↑
9:	10.0	→
10:	10.4x	→
Series	99.1	
	400.7	



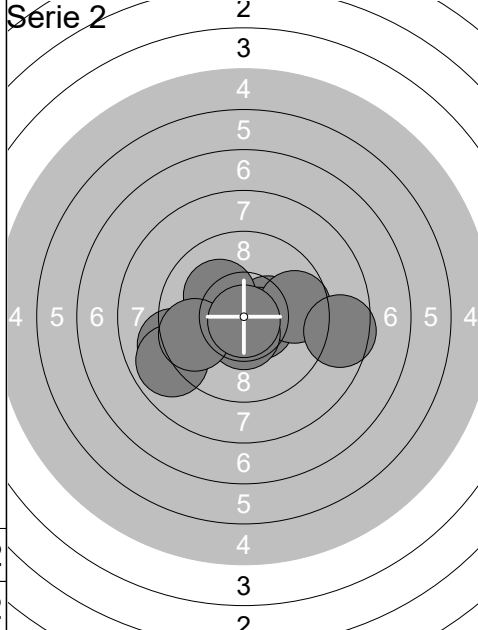
1:	10.1	→
2:	10.3x	→
3:	9.8	↘
4:	10.3x	↘
5:	9.9	↘
6:	9.4	→
7:	9.7	←
8:	10.6x	↙
9:	9.9	←
10:	10.3x	↘
Series	100.3	
	501.0	



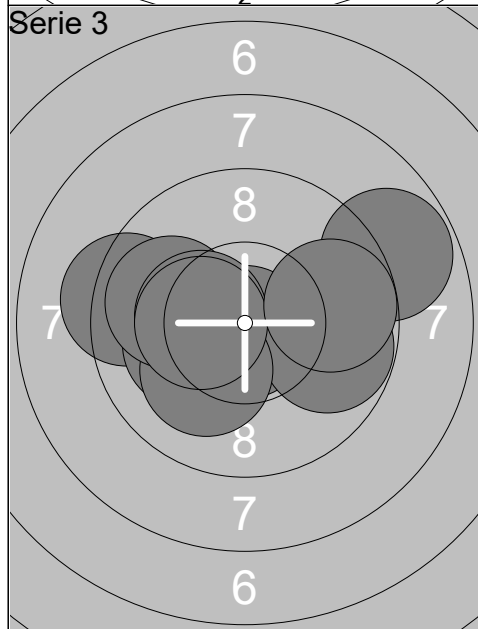
1:	10.5x	↖
2:	10.2x	→
3:	8.3	↑
4:	10.4x	↖
5:	10.1	←
6:	10.2x	↑
7:	10.3x	←
8:	10.8x	↓
9:	9.9	↑
10:	10.7x	↘
Series	101.4	
	602.4	



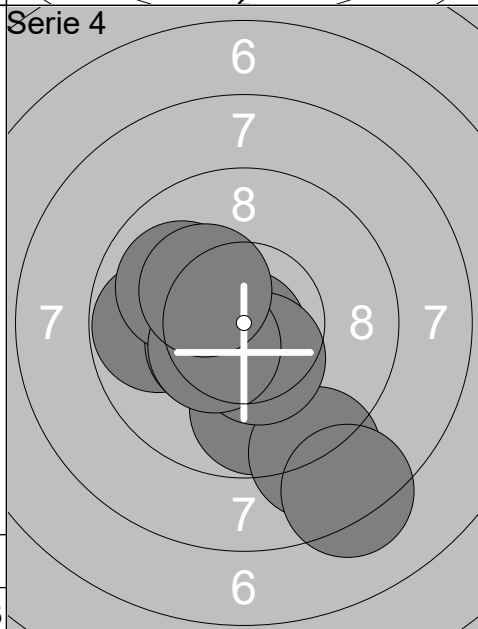
1:	9.1	←
2:	8.9	→
3:	8.6	→
4:	10.2x	↖
5:	9.3	→
6:	9.8	←
7:	10.3x	←
8:	9.5	→
9:	9.0	→
10:	10.5x	←
Series	95.2	
	95.2	



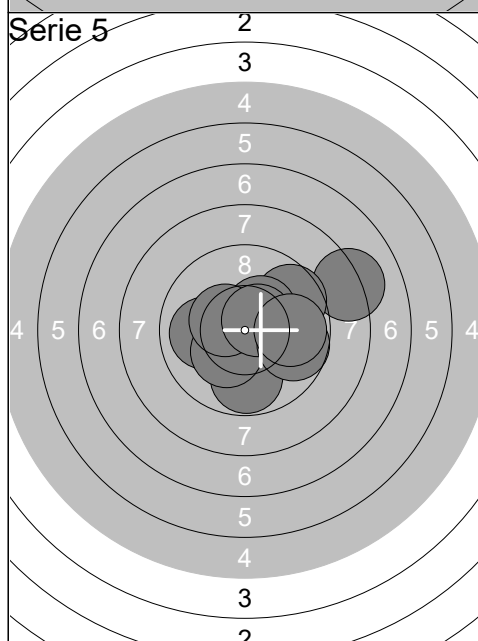
1:	10.3x	→
2:	10.5x	→
3:	10.1	↖
4:	9.7	→
5:	9.1	←
6:	8.5	→
7:	8.9	←
8:	10.5x	↓
9:	9.6	←
10:	10.8x	↓
Series	98.0	
	193.2	



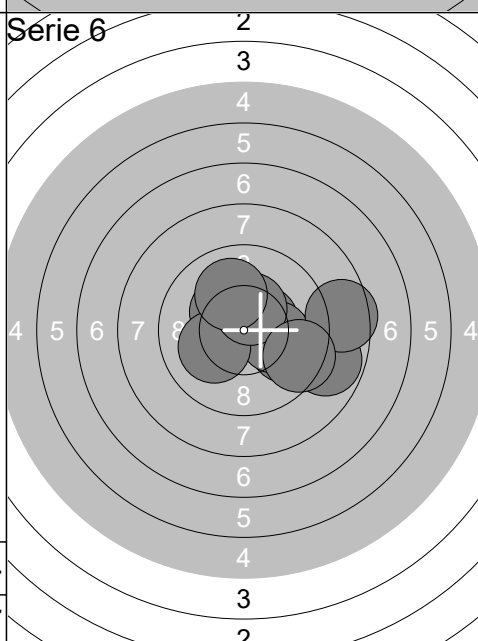
1:	9.3	←
2:	10.1	←
3:	8.8	→
4:	10.8x	↓
5:	9.8	→
6:	10.1	↙
7:	9.9	←
8:	10.3x	←
9:	10.3x	←
10:	9.7	→
Series	99.1	
	292.3	



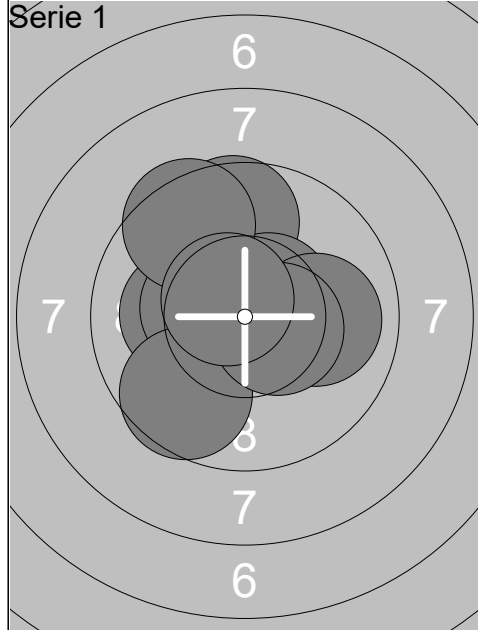
1:	9.8	←
2:	10.4x	↙
3:	9.8	↓
4:	10.8x	↓
5:	10.0	↖
6:	8.9	↙
7:	8.2	↙
8:	10.4x	↓
9:	10.4x	↙
10:	10.3x	↖
Series	99.0	
	391.3	



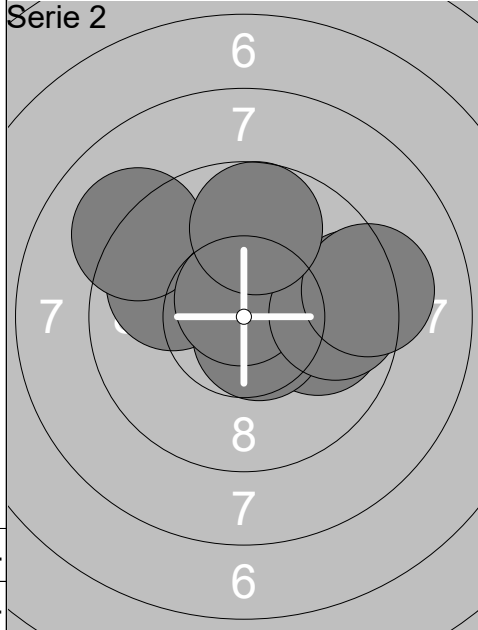
1:	10.0	←
2:	9.8	↓
3:	10.2x	↙
4:	8.1	→
5:	9.6	↗
6:	10.3x	↗
7:	10.4x	↖
8:	10.5x	↗
9:	9.7	→
10:	9.8	→
Series	98.4	
	489.7	



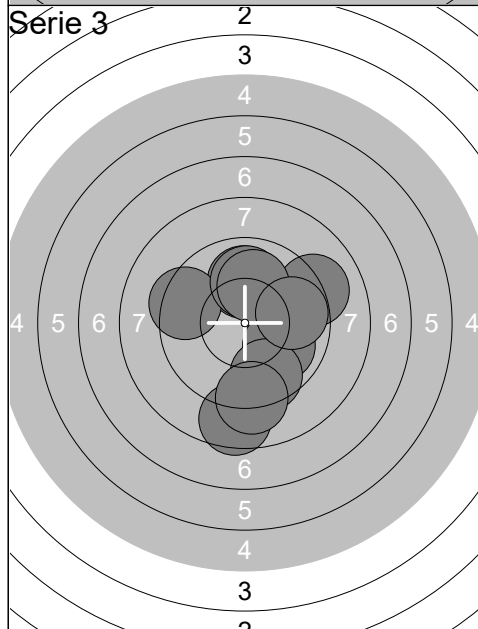
1:	9.8	→
2:	10.4x	→
3:	10.3x	↖
4:	8.8	→
5:	10.2x	→
6:	10.1	←
7:	10.4x	↗
8:	10.0	↗
9:	8.5	→
10:	9.4	→
Series	97.9	
	587.6	



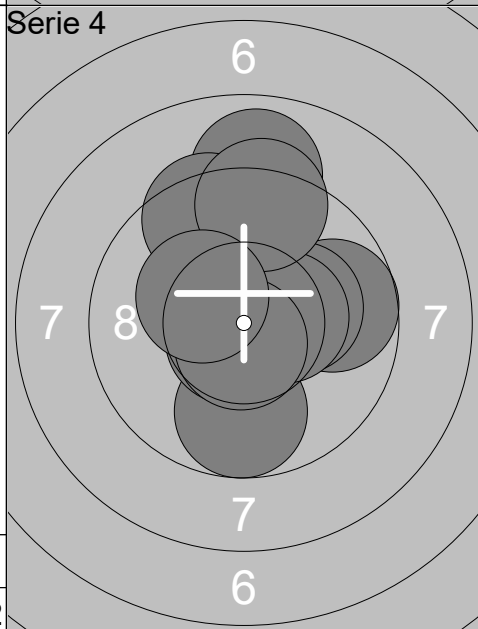
1:	10.6x ↗
2:	10.1 ←
3:	9.6 ↑
4:	10.5x ↗
5:	10.4x ←
6:	9.5 ↗
7:	10.0 →
8:	9.6 ↘
9:	10.5x →
10:	10.6x ↖
Series	101.4
	101.4



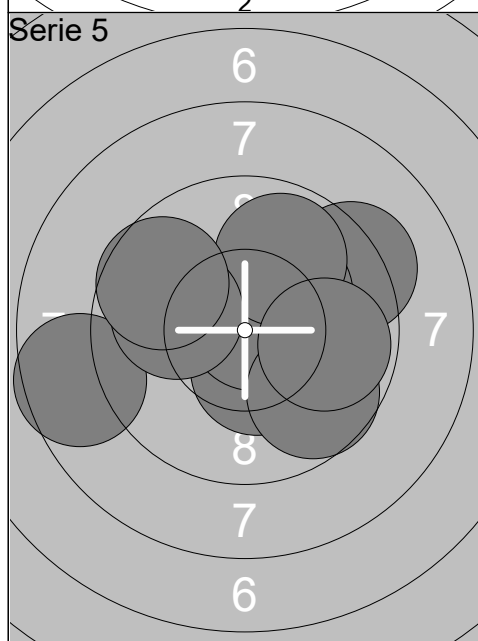
1:	10.5x ↗
2:	9.9 →
3:	9.9 ←
4:	10.6x ↘
5:	9.4 →
6:	9.1 ↖
7:	10.7x ↑
8:	9.7 →
9:	9.2 →
10:	9.7 ↑
Series	98.7
	200.1



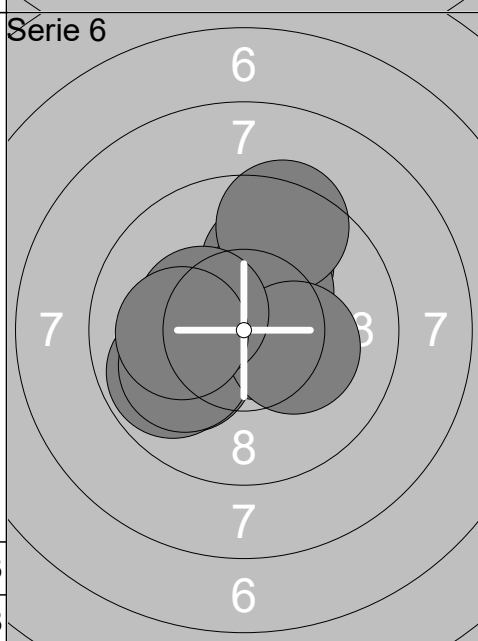
1:	9.9 ↘
2:	9.9 ↑
3:	9.4 ←
4:	9.9 ↑
5:	9.5 ↘
6:	9.1 →
7:	10.0 ↑
8:	8.6 ↓
9:	9.1 ↓
10:	9.7 →
Series	95.1
	295.2



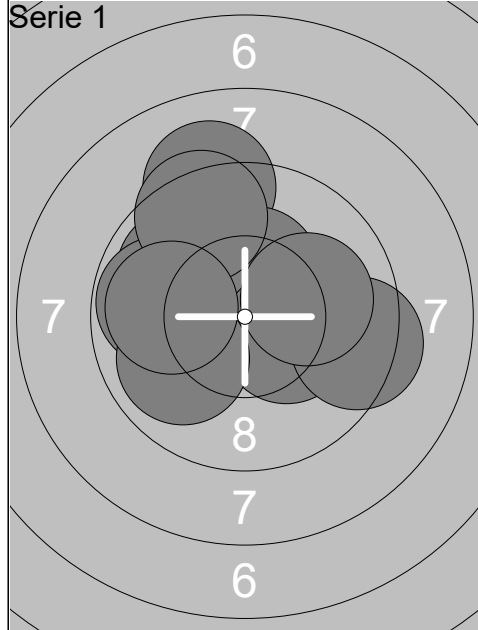
1:	9.7 ↓
2:	10.7x ↘
3:	8.9 ↑
4:	9.7 →
5:	10.2x →
6:	9.4 ↑
7:	10.4x →
8:	9.3 ↑
9:	10.7x ↓
10:	10.3x ↖
Series	99.3
	394.5



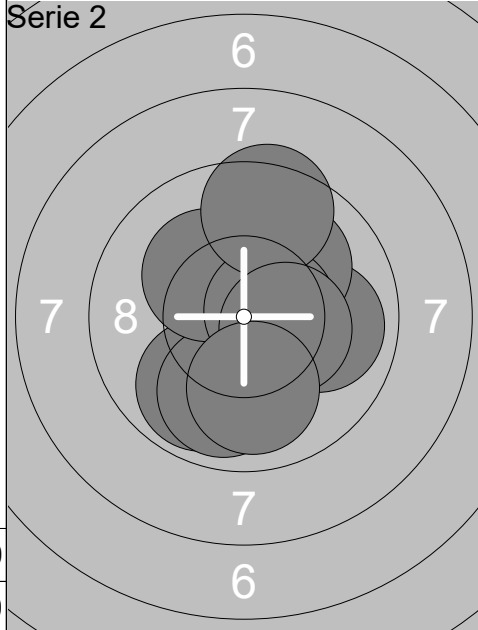
1:	9.3 ↗
2:	10.4x ↘
3:	10.2x ↗
4:	10.8x ↗
5:	9.7 ↘
6:	9.8 ↑
7:	8.6 ←
8:	10.0 ←
9:	9.7 ↖
10:	9.8 →
Series	98.3
	492.8



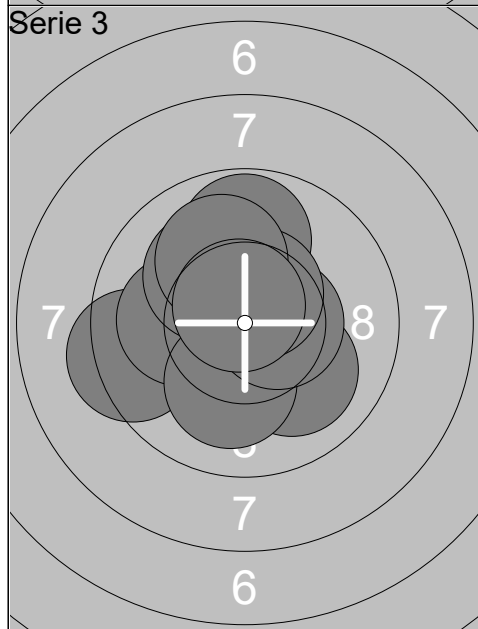
1:	10.0 ↑
2:	10.7x →
3:	10.0 ↖
4:	9.8 ↖
5:	10.3x ↗
6:	9.4 ↑
7:	10.0 ↖
8:	10.2x →
9:	10.3x ↖
10:	10.1 ←
Series	100.8
	593.6



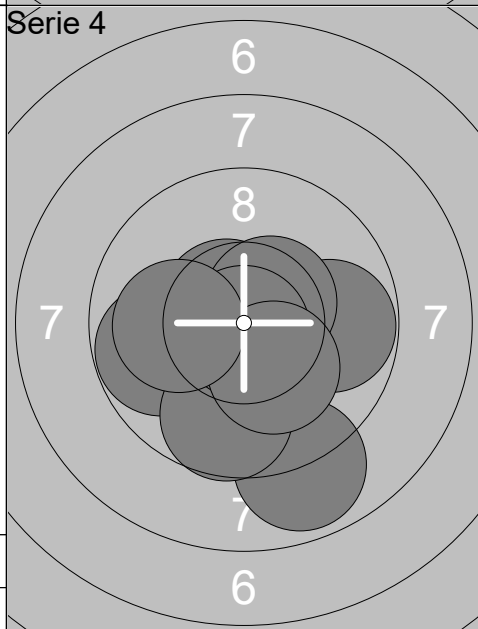
1:	9.9	↖
2:	9.1	↑
3:	10.3x	↑
4:	9.8	←
5:	10.3x	↘
6:	9.3	→
7:	10.0	→
8:	9.4	↑
9:	9.9	↙
10:	9.9	←
Series	97.9	
	97.9	



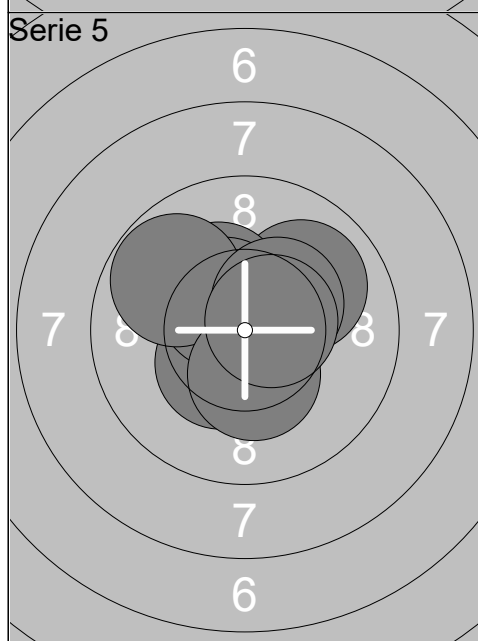
1:	9.9	→
2:	9.8	↙
3:	10.8x	↘
4:	10.0	↗
5:	9.9	↙
6:	10.2x	↖
7:	10.6x	→
8:	9.5	↑
9:	10.4x	→
10:	10.0	↙
Series	101.1	
	199.0	



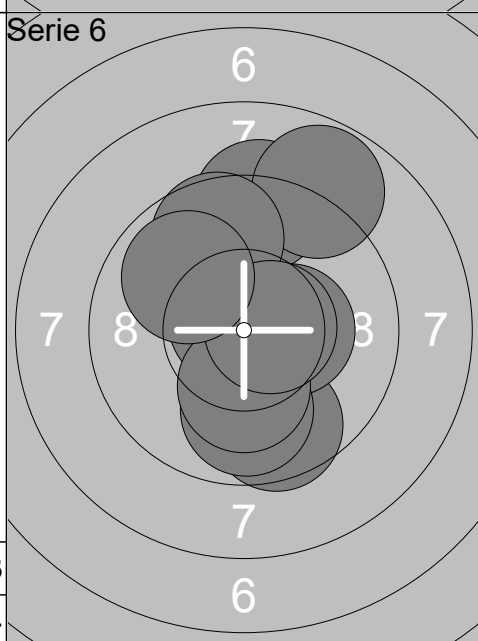
1:	9.3	←
2:	10.0	↘
3:	10.1	←
4:	10.1	↙
5:	9.8	↑
6:	10.5x	→
7:	10.1	↖
8:	10.5x	↗
9:	10.0	↑
10:	10.7x	↗
Series	101.1	
	300.1	



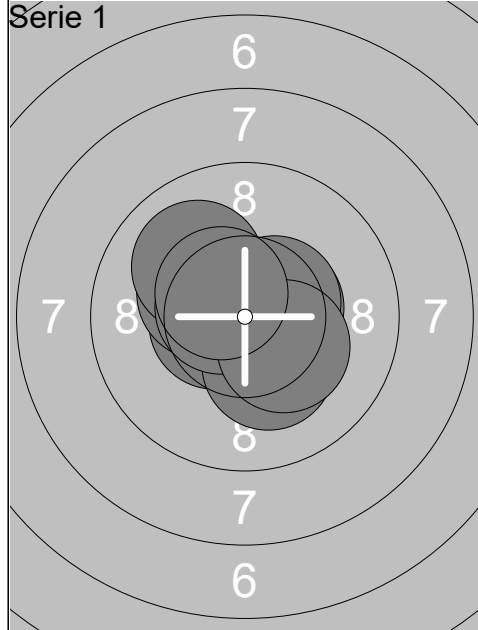
1:	10.6x	↖
2:	9.8	→
3:	8.9	↙
4:	10.6x	→
5:	9.8	←
6:	10.5x	↗
7:	9.7	↙
8:	10.8x	↘
9:	10.2x	↘
10:	10.1	←
Series	101.0	
	401.1	



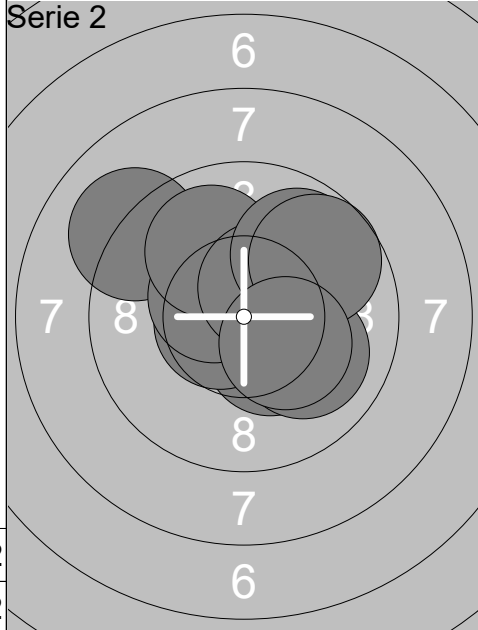
1:	10.5x	↗
2:	10.4x	↙
3:	9.9	↗
4:	10.3x	↖
5:	10.5x	↖
6:	10.7x	→
7:	9.8	↖
8:	10.4x	↗
9:	10.3x	↙
10:	10.5x	→
Series	103.3	
	504.4	



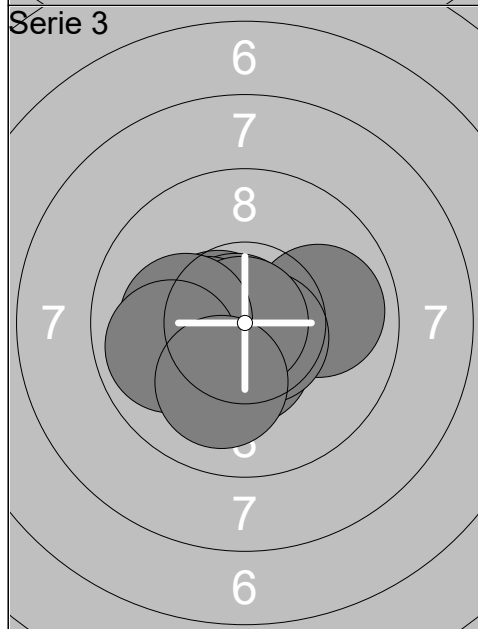
1:	9.2	↑
2:	10.7x	↖
3:	8.8	↗
4:	9.6	↙
5:	10.3x	→
6:	9.6	↑
7:	9.9	↙
8:	10.2x	↘
9:	10.6x	→
10:	9.9	↖
Series	98.8	
	603.2	



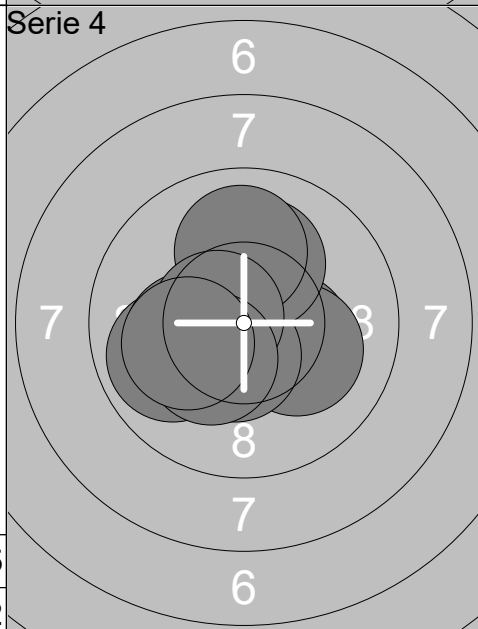
1:	10.5x →
2:	10.5x ←
3:	10.8x →
4:	10.3x ↖
5:	10.2x ↓
6:	10.0 ↗
7:	10.6x ←
8:	10.5x →
9:	10.3x ↘
10:	10.5x ↖
Series	104.2
	104.2



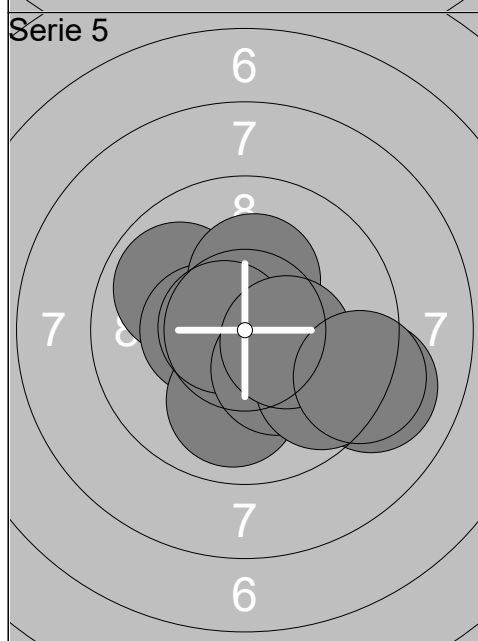
1:	10.4x ↘
2:	9.1 ↖
3:	10.6x ←
4:	10.4x ↖
5:	9.9 ↗
6:	10.0 →
7:	10.4x ↗
8:	9.8 ↗
9:	9.7 ↗
10:	10.2x ↘
Series	100.5
	204.7



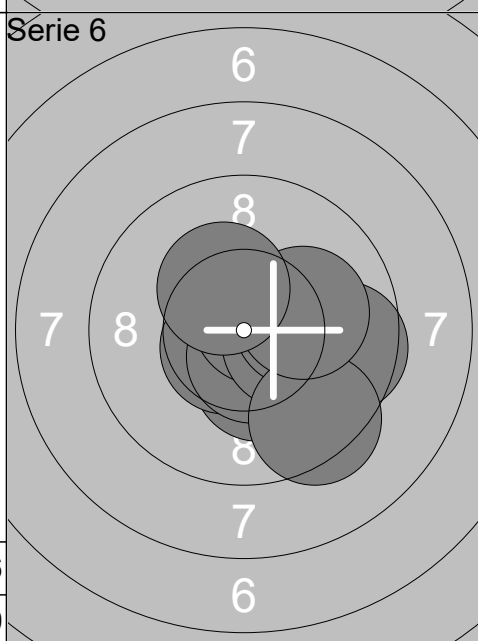
1:	9.9 →
2:	10.5x ←
3:	10.8x ←
4:	10.4x ←
5:	10.4x ↓
6:	10.6x ↘
7:	10.9x ←
8:	10.1 ←
9:	9.9 ←
10:	10.0 ↓
Series	103.5
	308.2



1:	10.3x →
2:	10.1 →
3:	9.9 ←
4:	10.5x ↓
5:	10.2x ←
6:	10.1 ↗
7:	10.0 ↗
8:	10.6x ←
9:	10.3x ↙
10:	10.1 ←
Series	102.1
	410.3



1:	9.9 ↖
2:	10.4x ←
3:	10.2x ↗
4:	10.0 ↓
5:	9.0 →
6:	10.7x ←
7:	10.2x ↘
8:	9.6 ↘
9:	10.4x →
10:	9.2 →
Series	99.6
	509.9



1:	10.3x ↓
2:	10.6x ↙
3:	10.5x ↓
4:	10.7x ↗
5:	10.3x →
6:	10.1 →
7:	9.6 →
8:	9.4 ↘
9:	10.1 →
10:	10.3x ↖
Series	101.9
	611.8