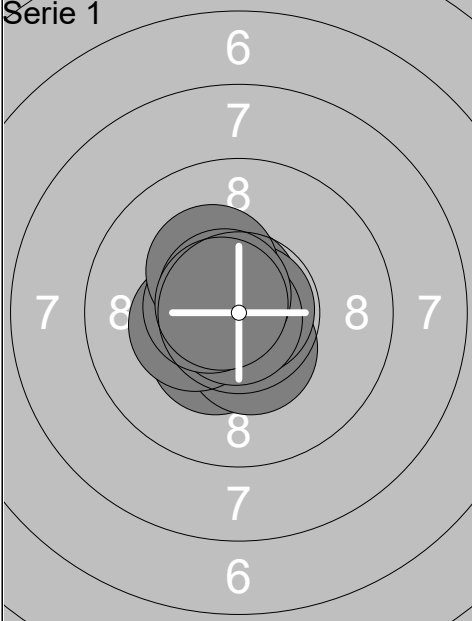
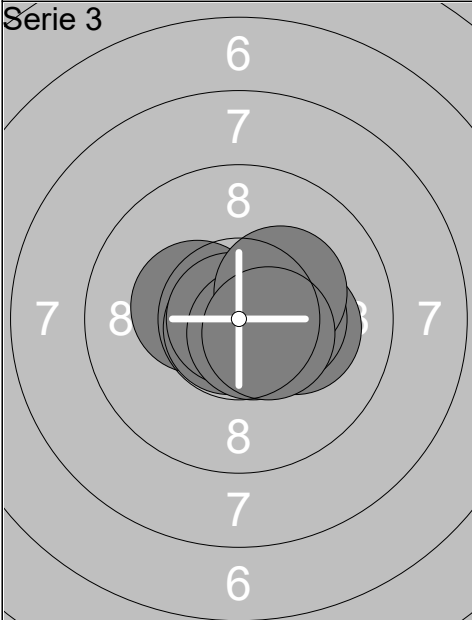
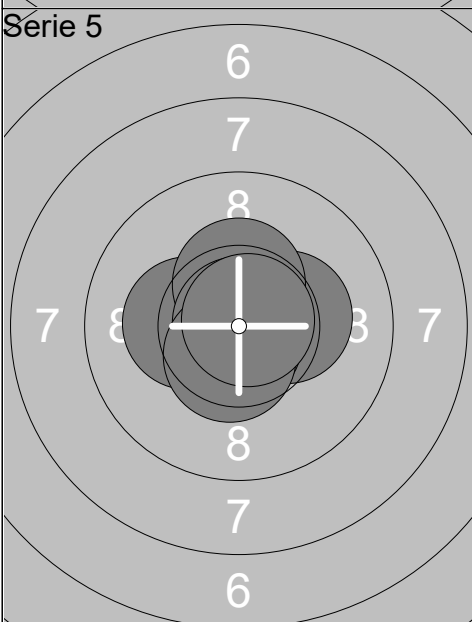
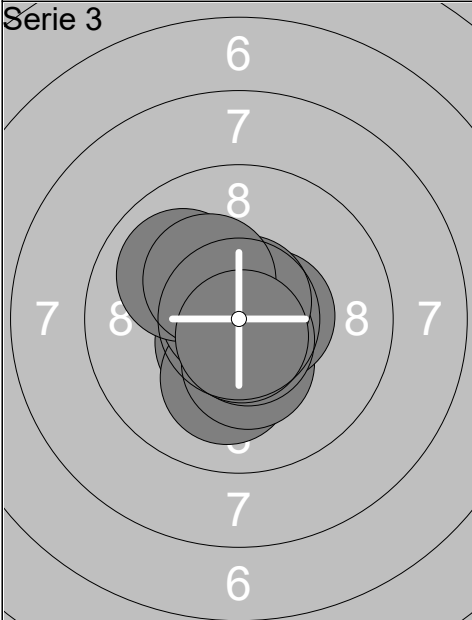
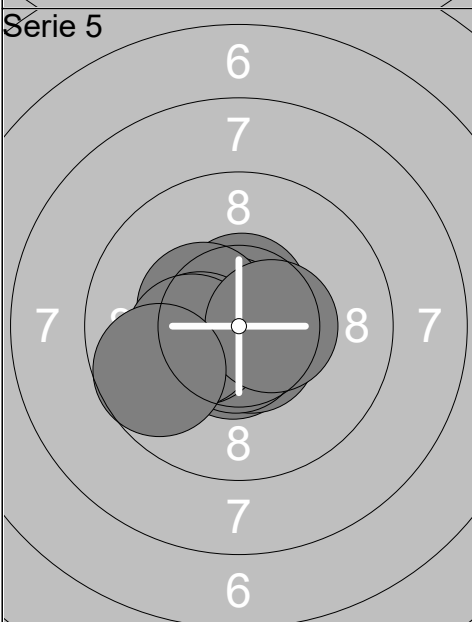


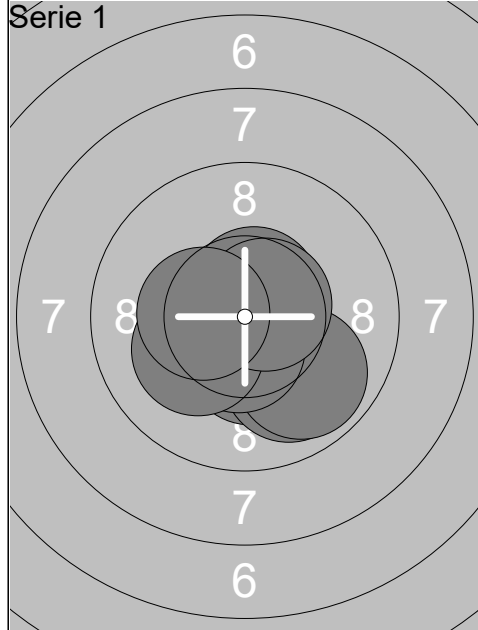
Relay	Lane	Louise Madsen	
Gundsøllille Megalink OPE	Viborg Skytte Forening	W	
1.01.2020	GMO2020 Day 3	Gundsøllille OPEN 2020	
Serie 1 	1: 10.7x ↖	Serie 2 	1: 10.3x ↓
	2: 10.6x →		2: 10.0 ↓
	3: 10.0 ↙		3: 9.8 ↓
	4: 10.1 ↗		4: 10.5x →
	5: 10.4x ↗		5: 10.7x ↑
	6: 10.1 ↖		6: 10.4x ↗
	7: 10.3x →		7: 10.4x ↖
	8: 10.8x →		8: 10.5x ↘
	9: 9.9 ↑		9: 10.4x →
	10: 10.3x ↑		10: 9.4 ↗
	Series 103.2		Series 102.4
	103.2		205.6
Serie 3 	1: 10.2x →	Serie 4 	1: 10.4x ↖
	2: 10.3x →		2: 10.3x ←
	3: 10.8x ↑		3: 10.6x ↖
	4: 10.6x ↘		4: 10.2x ←
	5: 10.0 →		5: 10.1 →
	6: 10.8x ↗		6: 10.3x ↓
	7: 10.5x →		7: 10.6x ↙
	8: 10.1 ←		8: 9.9 ↖
	9: 10.3x ↓		9: 10.4x ↘
	10: 10.4x ↓		10: 9.6 ↗
	Series 104.0		Series 102.4
	309.6		412.0
Serie 5 	1: 10.4x ↘	Serie 6 	1: 10.5x ↑
	2: 9.7 ↗		2: 9.6 ←
	3: 10.7x ↘		3: 10.0 ↓
	4: 10.5x ↓		4: 10.3x ↑
	5: 10.9x →		5: 10.3x ↖
	6: 10.4x ↓		6: 10.1 ←
	7: 9.9 ↘		7: 10.3x ↘
	8: 10.2x →		8: 9.5 ←
	9: 10.1 ↙		9: 9.8 ↓
	10: 10.5x ↘		10: 10.6x →
	Series 103.3		Series 101.0
	515.3		616.3

Relay	Lane	Rikke Mæng Ibsen	
Gundsøllille Megalink OPE	Trehøje Skytteforening	W	
1.01.2020	GMO2020 Day 3	Gundsøllille OPEN 2020	
Serie 1		1: 10.7x ↗ 2: 10.3x ↘ 3: 10.4x ↘ 4: 10.8x → 5: 10.3x ← 6: 10.8x ↘ 7: 10.5x ← 8: 10.3x ↗ 9: 10.6x ↗ 10: 10.7x ↖	Serie 2
	Series 105.4	1: 10.2x ↖ 2: 10.0 ↗ 3: 10.7x ↗ 4: 10.5x ← 5: 10.5x ← 6: 9.3 → 7: 10.1 → 8: 10.2x ↘ 9: 10.7x ↘ 10: 10.5x ↗	Series 102.7
	105.4		208.1
Serie 3		1: 10.4x ← 2: 10.8x ↘ 3: 10.8x → 4: 10.1 → 5: 10.4x → 6: 10.4x ↗ 7: 10.9x ← 8: 10.6x ↘ 9: 10.3x ↗ 10: 10.5x ↘	Serie 4
	Series 105.2	1: 10.5x ↘ 2: 10.4x ↘ 3: 10.5x ↗ 4: 10.5x ↗ 5: 10.2x ↘ 6: 9.9 → 7: 10.7x ↗ 8: 10.7x ↘ 9: 10.4x ↘ 10: 10.4x ↘	Series 104.2
	313.3		417.5
Serie 5		1: 10.6x ← 2: 10.8x ↗ 3: 10.3x → 4: 10.7x ← 5: 10.7x ↘ 6: 10.2x ← 7: 10.4x ↗ 8: 10.9x ↗ 9: 10.5x ↘ 10: 10.8x ↗	Serie 6
	Series 105.9	1: 10.4x ← 2: 9.9 ↖ 3: 10.3x ← 4: 10.0 ↘ 5: 10.3x ↘ 6: 10.6x ↘ 7: 10.6x ↘ 8: 9.8 → 9: 10.2x ← 10: 10.1 ↗	Series 102.2
	523.4		625.6

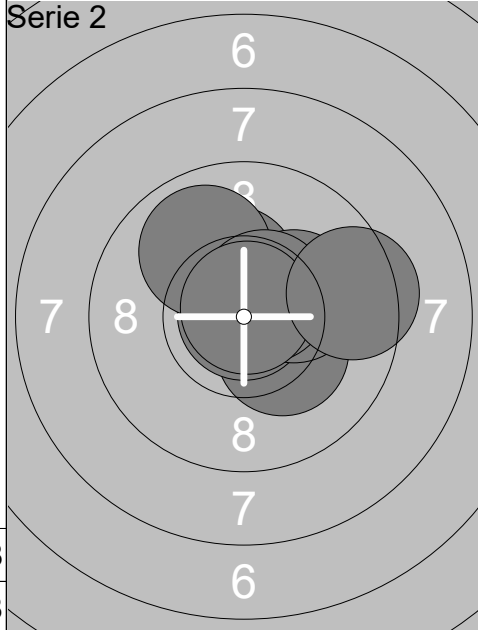
Relay	Lane	Stine Holtze Nielsen	
Gundsøllille Megalink OPE	Sørslev Skytteforening	W	
1.01.2020	GMO2020 Day 3	Gundsøllille OPEN 2020	
Serie 1		1: 10.7x ↑ 2: 10.5x ↖ 3: 10.1 → 4: 10.1 → 5: 10.7x ↙ 6: 9.8 ↓ 7: 10.6x ↓ 8: 10.6x ↗ 9: 10.9x ← 10: 9.8 → Series 103.8 103.8	Serie 2
		1: 10.1 ↖ 2: 10.1 ↘ 3: 10.7x → 4: 10.3x → 5: 10.0 → 6: 10.8x ↙ 7: 10.7x ← 8: 10.7x ↓ 9: 10.6x ↑ 10: 10.3x ← Series 104.3 208.1	
Serie 3		1: 10.5x ↙ 2: 10.1 ↓ 3: 10.3x ↓ 4: 10.5x → 5: 10.6x ↓ 6: 10.8x ↖ 7: 10.0 ↖ 8: 10.7x ↑ 9: 10.3x ↗ 10: 10.7x ↓ Series 104.5 312.6	Serie 4
		1: 10.2x ↖ 2: 9.7 ↑ 3: 10.2x ← 4: 10.3x ← 5: 10.6x ← 6: 10.2x ↗ 7: 10.5x ↓ 8: 10.5x → 9: 10.5x ↑ 10: 10.8x ↑ Series 103.5 416.1	
Serie 5		1: 10.6x ↑ 2: 10.6x ↓ 3: 10.6x ↓ 4: 10.8x ← 5: 10.4x ↖ 6: 10.6x ↓ 7: 10.4x ← 8: 10.3x ← 9: 10.5x → 10: 9.7 ← Series 104.5 520.6	Serie 6
		1: 10.9x ↖ 2: 10.2x ↘ 3: 10.4x ↘ 4: 10.7x ↗ 5: 10.4x ↓ 6: 9.7 → 7: 9.7 → 8: 10.5x ↓ 9: 10.8x ↗ 10: 10.0 ↘ Series 103.3 623.9	

Gundsøllille Megalink Open 2020

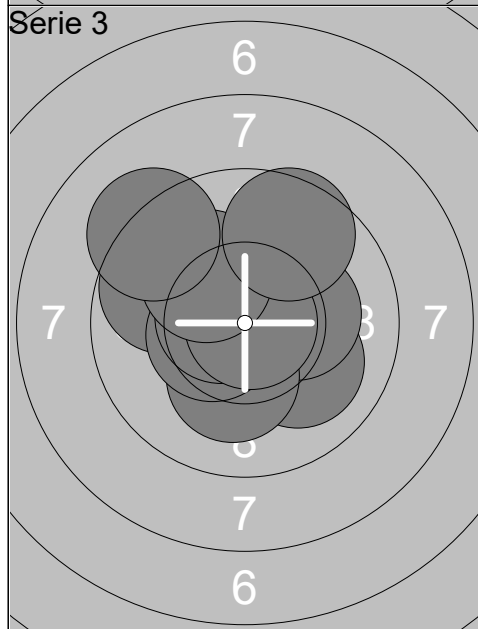
Relay	Lane	Anna Skade Nielsen	
1	4	Gundsøllille Megalink OPE	Sørslev Skytteforening
1.01.2020	GMO2020 Day 3	Gundsøllille OPEN 2020	
Serie 1		1: 9.8 ← 2: 9.9 ↗ 3: 10.1 ← 4: 10.4x ↙ 5: 10.6x ↘ 6: 10.1 ↗ 7: 10.8x → 8: 10.7x → 9: 10.6x ← 10: 10.8x ↙ Series 103.8 103.8	1: 10.3x ↖ 2: 9.7 → 3: 9.9 ↗ 4: 10.5x ↓ 5: 10.7x → 6: 10.7x ← 7: 10.8x ↙ 8: 10.2x ↖ 9: 10.3x ↑ 10: 9.9 → Series 103.0 206.8
Serie 3		1: 10.9x ↘ 2: 10.5x → 3: 10.5x ↖ 4: 10.3x → 5: 10.7x ← 6: 10.2x ← 7: 10.2x ← 8: 10.0 → 9: 10.7x ← 10: 10.8x ↑ Series 104.8 311.6	1: 10.4x ↓ 2: 10.4x ← 3: 10.2x → 4: 10.5x ↖ 5: 10.7x ↘ 6: 10.6x ↘ 7: 10.3x ↙ 8: 10.2x ↖ 9: 10.7x ↖ 10: 10.4x ↖ Series 104.4 416.0
Serie 5		1: 10.8x ↙ 2: 10.4x ↙ 3: 10.5x ↓ 4: 10.4x ↗ 5: 10.0 → 6: 10.5x ↓ 7: 10.8x ↘ 8: 10.6x → 9: 10.7x ← 10: 10.8x ← Series 105.5 521.5	1: 10.6x ↓ 2: 10.6x ↓ 3: 10.3x ↘ 4: 10.6x ↖ 5: 10.5x ↖ 6: 10.3x → 7: 10.7x ↑ 8: 10.7x → 9: 10.7x ↓ 10: 10.6x ↓ Series 105.6 627.1



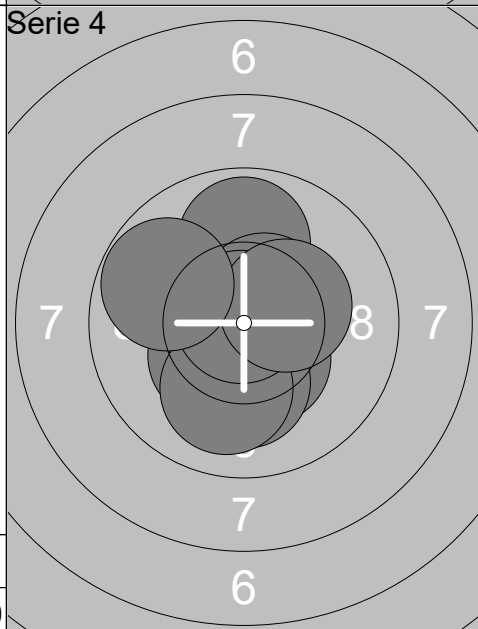
1:	10.4x ↓
2:	9.9 ↓
3:	10.7x ←
4:	10.7x →
5:	9.9 ↓
6:	10.5x ↓
7:	10.6x ↗
8:	10.1 ↙
9:	10.6x ↗
10:	10.4x ←
Series	103.8
	103.8



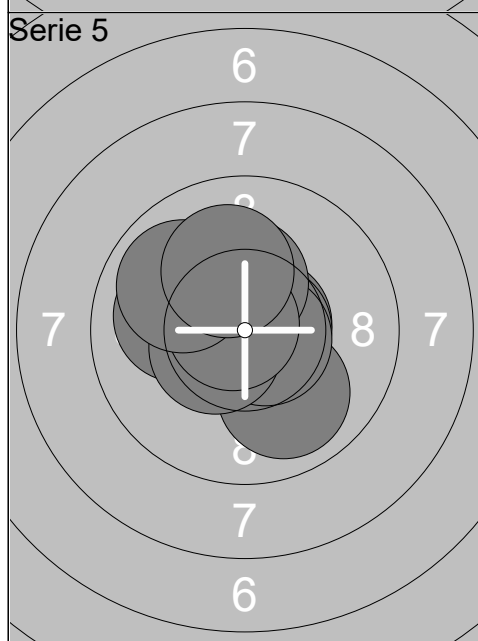
1:	10.3x →
2:	10.2x ↘
3:	10.3x ↗
4:	10.9x ↗
5:	10.6x ↗
6:	9.9 ↖
7:	10.2x →
8:	10.5x ↗
9:	10.8x ↗
10:	9.4 →
Series	103.1
	206.9



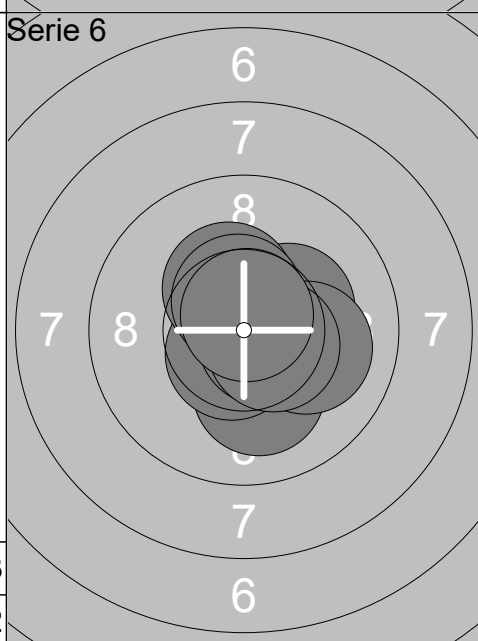
1:	9.8 ←
2:	10.0 ↘
3:	10.2x →
4:	10.2x ↓
5:	10.5x ←
6:	10.6x ←
7:	10.9x →
8:	10.1 ↗
9:	9.2 ↖
10:	9.6 ↗
Series	101.1
	308.0



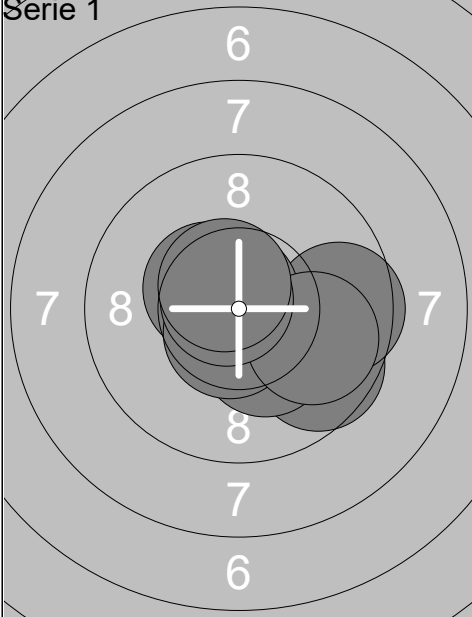
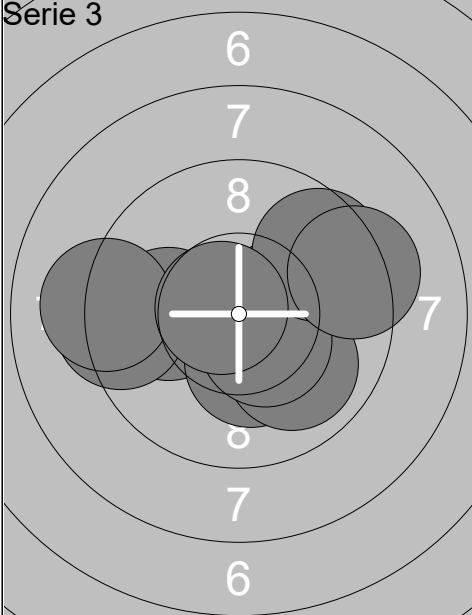
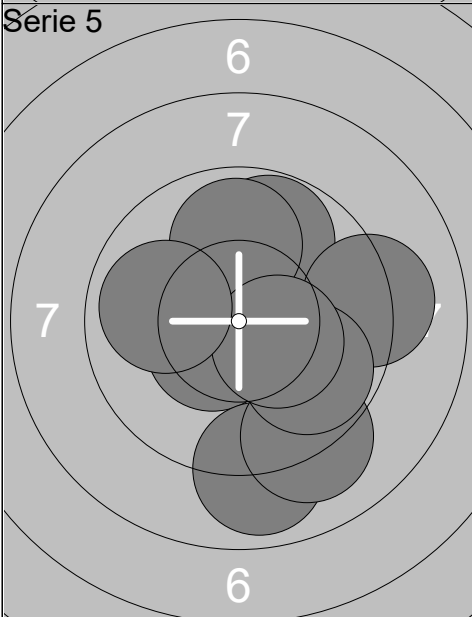
1:	9.9 ↗
2:	10.3x ↘
3:	10.4x ↘
4:	10.1 ↓
5:	10.7x ←
6:	10.5x ↗
7:	10.0 ↓
8:	10.9x ↖
9:	10.3x →
10:	9.8 ←
Series	102.9
	410.9



1:	9.9 ↓
2:	10.6x →
3:	10.0 ←
4:	10.6x →
5:	10.6x →
6:	10.5x ←
7:	10.3x ↗
8:	10.8x ←
9:	9.9 ↖
10:	10.1 ↗
Series	103.3
	514.2



1:	10.1 ↓
2:	10.8x ↗
3:	10.3x →
4:	10.6x ↘
5:	10.3x ↗
6:	10.6x →
7:	10.5x ↗
8:	10.1 →
9:	10.5x →
10:	10.7x ↗
Series	104.5
	618.7

Relay	Lane	Simone Berg	
Gundsøllille Megalink OPE	Aalborg Skyttekreds	W	
1.01.2020	GMO2020 Day 3	Gundsøllille OPEN 2020	
Serie 1		1: 10.4x ↗ 2: 9.6 ↘ 3: 9.6 → 4: 10.4x ↘ 5: 10.8x ↗ 6: 10.3x ↘ 7: 10.6x ↘ 8: 9.9 → 9: 10.7x ↗ 10: 10.6x ↗ Series 102.9 102.9	Serie 2
		1: 9.8 ↘ 2: 10.3x → 3: 10.1 → 4: 10.1 ↘ 5: 10.3x ← 6: 10.5x ↗ 7: 10.1 ↘ 8: 10.5x ↘ 9: 10.4x ← 10: 9.9 ← Series 102.0 204.9	
Serie 3		1: 10.0 ← 2: 9.3 ← 3: 10.3x ↘ 4: 10.4x → 5: 9.9 ↘ 6: 9.1 ← 7: 10.4x ↘ 8: 9.6 ↗ 9: 9.3 → 10: 10.7x ← Series 99.0 303.9	Serie 4
		1: 10.6x ↘ 2: 10.0 → 3: 10.4x ← 4: 10.4x ↘ 5: 10.7x → 6: 10.5x ↗ 7: 10.5x ↘ 8: 10.3x ↗ 9: 10.8x ↘ 10: 9.2 ↑ Series 103.4 407.3	
Serie 5		1: 10.3x ↑ 2: 9.8 ↗ 3: 10.4x ↘ 4: 9.9 ↑ 5: 8.9 ↘ 6: 9.2 → 7: 9.1 ↘ 8: 9.8 ↘ 9: 10.3x → 10: 9.9 ← Series 97.6 504.9	Serie 6
		1: 9.5 ← 2: 8.8 ← 3: 10.5x ↗ 4: 10.3x → 5: 10.0 ↑ 6: 10.6x ↗ 7: 10.4x ↗ 8: 10.3x → 9: 10.3x ← 10: 10.6x ← Series 101.3 606.2	

Gundsøllille Megalink Open 2020

Relay	Lane	Christinna Herskind	
Gundsøllille Megalink OPE	Aalborg Skyttekreds	W	
1.01.2020	GMO2020 Day 3	Gundsøllille OPEN 2020	
Serie 1	1: 10.2x ↘ 2: 10.4x ↗ 3: 10.1 → 4: 10.7x ↖ 5: 10.3x → 6: 10.5x ↘ 7: 10.2x ← 8: 10.6x ↓ 9: 10.4x ↘ 10: 10.4x ↘ Series 103.8 103.8	Serie 2	1: 10.0 ↖ 2: 10.5x ↑ 3: 10.6x ← 4: 10.2x → 5: 10.5x ← 6: 10.4x ↘ 7: 10.3x → 8: 10.4x ↓ 9: 10.1 ← 10: 10.2x ↓ Series 103.2 207.0
Serie 3	1: 10.0 ← 2: 10.8x → 3: 10.6x ↗ 4: 9.9 ↖ 5: 9.5 ↑ 6: 10.0 ↑ 7: 9.7 → 8: 10.4x → 9: 10.3x ↑ 10: 10.3x → Series 101.5 308.5	Serie 4	1: 10.9x 2: 10.6x ↑ 3: 10.0 ↑ 4: 10.5x ↗ 5: 10.3x ← 6: 10.4x ↗ 7: 10.8x ← 8: 10.8x → 9: 10.7x ↑ 10: 10.5x → Series 105.5 414.0
Serie 5	1: 10.8x ↑ 2: 10.5x ↖ 3: 10.7x ↘ 4: 10.1 ↑ 5: 10.5x ← 6: 10.5x ↑ 7: 10.7x → 8: 10.5x ↖ 9: 10.0 ↗ 10: 10.7x ↑ Series 105.0 519.0	Serie 6	1: 9.9 → 2: 10.6x ↓ 3: 10.0 ← 4: 10.3x ↘ 5: 9.7 → 6: 9.6 ↖ 7: 10.7x ↖ 8: 10.5x ↓ 9: 9.6 → 10: 10.2x ↑ Series 101.1 620.1

Gundsøllille Megalink Open 2020

Relay	Lane	Natasja Buchholdt	
Gundsøllille Megalink OPE	Ølstykke Skytteforening	W	
1.01.2020	GMO2020 Day 3	Gundsøllille OPEN 2020	
Serie 1	1: 10.8x ↗ 2: 10.6x → 3: 10.4x ↘ 4: 10.7x ← 5: 10.5x ↖ 6: 10.2x ← 7: 10.4x ↗ 8: 10.5x ↗ 9: 10.8x ↘ 10: 10.3x ↗ Series 105.2 105.2	Serie 2	1: 10.9x ↓ 2: 10.5x ↑ 3: 10.4x ↖ 4: 10.6x ↘ 5: 10.4x ⇒ 6: 10.3x → 7: 10.3x ↙ 8: 10.3x → 9: 10.0 ↘ 10: 10.4x ↙ Series 104.1 209.3
Serie 3	1: 10.6x ↖ 2: 10.2x → 3: 10.0 ↓ 4: 10.9x ↗ 5: 10.9x ← 6: 10.7x ↘ 7: 10.7x ↗ 8: 10.5x ↘ 9: 10.4x → 10: 9.8 ↓ Series 104.7 314.0	Serie 4	1: 10.2x ↘ 2: 10.2x → 3: 10.2x ← 4: 10.4x ⇒ 5: 10.1 ↓ 6: 10.4x ↑ 7: 10.6x ↙ 8: 10.6x ↗ 9: 10.1 ↘ 10: 10.6x ↗ Series 103.4 417.4
Serie 5	1: 10.3x ⇒ 2: 10.1 ⇒ 3: 10.2x → 4: 10.4x ↑ 5: 10.5x ← 6: 10.2x ↖ 7: 10.5x ↗ 8: 10.6x ↑ 9: 10.7x ⇒ 10: 10.2x ↘ Series 103.7 521.1	Serie 6	1: 9.9 ↘ 2: 9.6 ↘ 3: 10.1 ← 4: 10.3x ↘ 5: 10.7x ← 6: 10.5x ↖ 7: 10.5x ↑ 8: 10.4x ↑ 9: 9.8 ↘ 10: 10.3x ↑ Series 102.1 623.2

Gundsøllille Megalink Open 2020